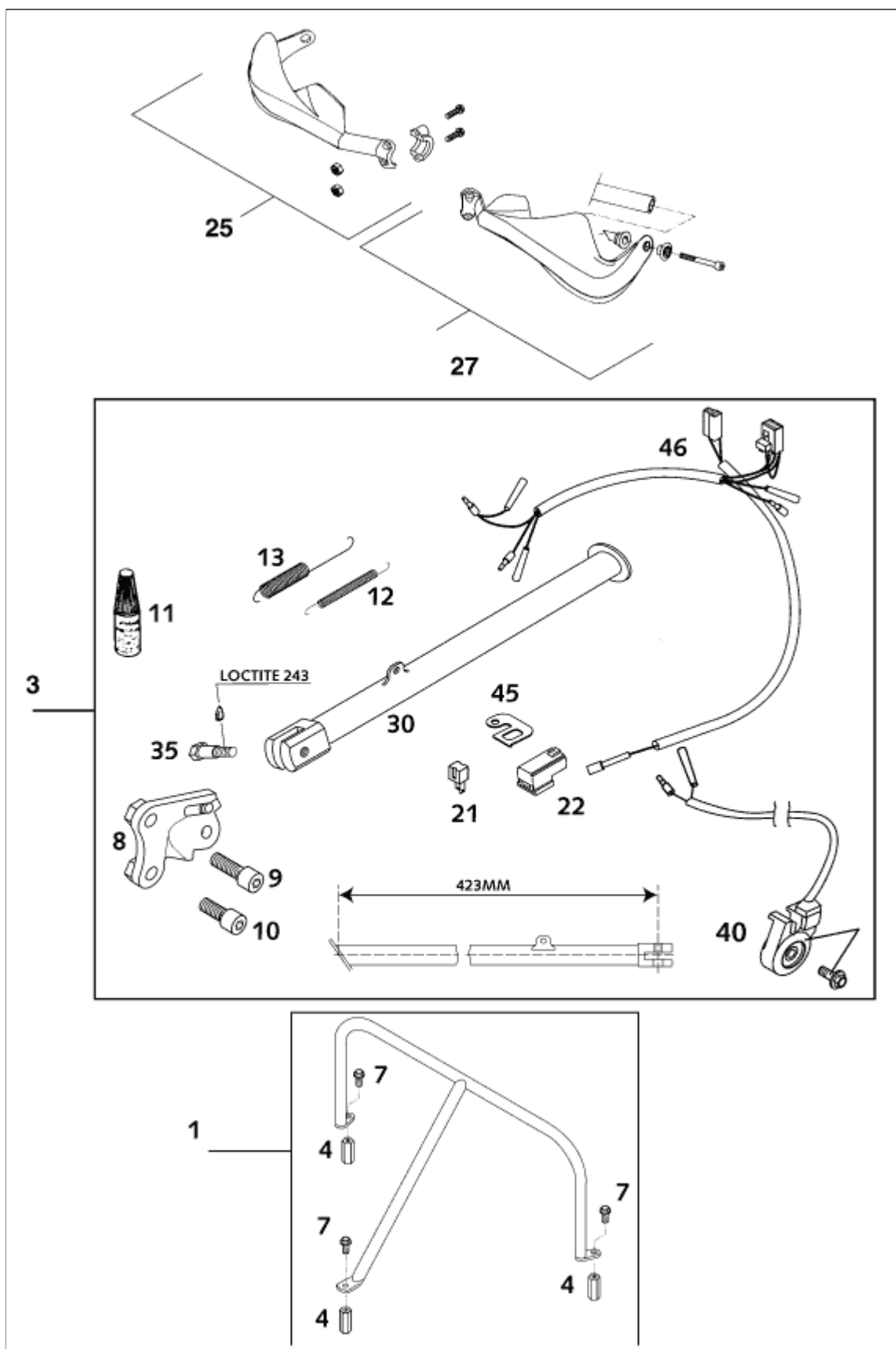


Component Detail

Print Close Window

Year	2001
Model	640 ADVENTURE-R (D)
Part	ATTACHMENTS ADVENTURE 2001



Copyright © by KTM NA All rights reserved.
Licensed to Elite KTM Online Shopper, Copyright © 2004, 2005, 2006, 2007 B.H. Forbes, All Rights Reserved.

Component Detail

Print Close Window

Year	2001
Model	640 ADVENTURE-R (D)
Part	ATTACHMENTS ADVENTURE 2001

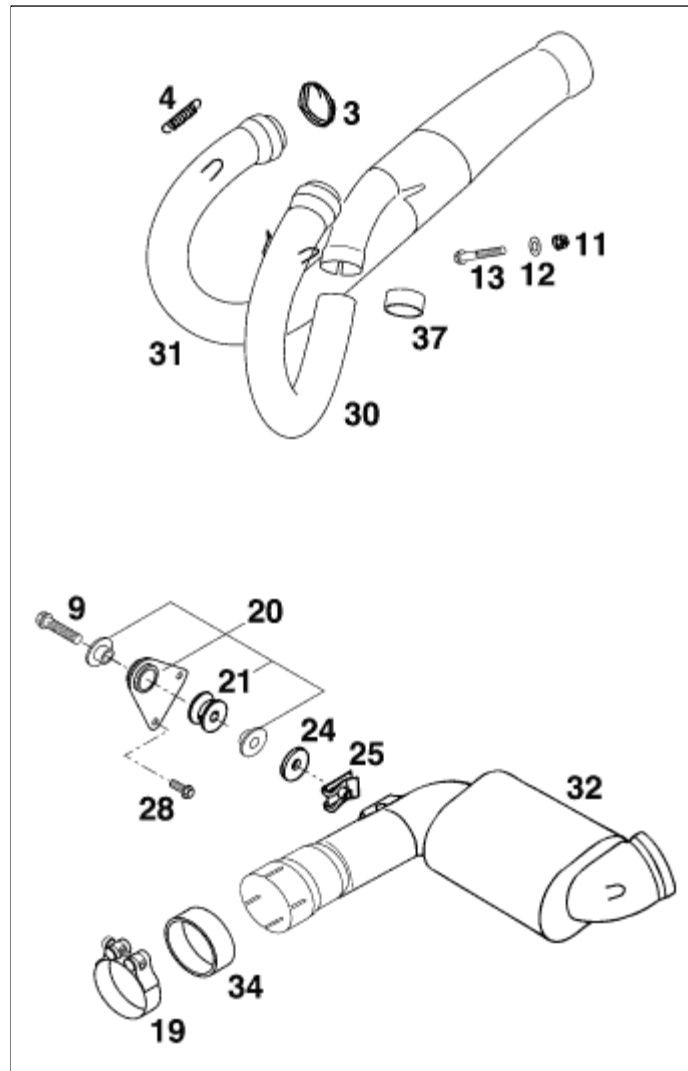
Item	Part #	Description	Retail
1	58212090144	ROADBOOK CARRIER CPL. ADV. 01	\$37.84
3	5840302394490	SIDE STAND CPL. ADV/LC4 03 original partnumber 5840302364490 superceeded by 5840302394490	\$121.99
4	58212090150	SPACER NUT F. ROADBOOK CARRIER	\$7.15
7	0015060123	HH COLLAR SCREW M 6X12 WS=8	\$1.70
8	58403026500	S.STAND BRACKET M10 LC4/S.M'99	\$31.63
9	0912100303	AH SCREW DIN0912-M10X30	\$2.21
10	0912100256	AH SCREW DIN0912-M10X25 10.9	\$2.21
11	6899785	LOCTITE 243 BLUE 6CCM	\$0.00
12	58403030000	SIDE STAND SPRING D=7,7MM '97	\$4.31
13	51003021000	SIDESTAND SPRING LONG	\$6.42
21	58411096100	DIODE S3H-15 97	\$10.73
22	58411057000	STARTER RELAY '96	\$18.99
25	6000207910030	HANDGUARD L/S+R/S CPL.BLACK 04 original partnumber 6000207900030 superceeded by 6000207910030	\$54.06
29	44011076200	CABLE TIE 200/3,6MM BLACK	\$0.69
30	5840302360090	SIDE STAND SILVER M10 LC4 2000	\$67.19
35	58203027200	SCREW FOR SIDE STAND M10X26,7	\$16.66
40	58411045000	SIDE STAND SWITCH CPL. '97	\$50.80
45	58311031000	RETAINING PLATE	\$1.37
46	58411046000	SIDE STAND CABLE 400/640 '99	\$17.20

Licensed to Elite KTM Online Shopper, Copyright © 2004, 2005, 2006, 2007 B.H. Forbes, All Rights Reserved.

Component Detail

Print Close Window

Year	2001
Model	640 ADVENTURE-R (D)
Part	BEND, PRESILENCER 640 ADV. 2000



Copyright © by KTM NA All rights reserved.

Licensed to Elite KTM Online Shopper, Copyright © 2004, 2005, 2006, 2007 B.H. Forbes, All Rights Reserved.

Component Detail

Print Close Window

Year	2001
Model	640 ADVENTURE-R (D)
Part	BEND, PRESILENCER 640 ADV. 2000

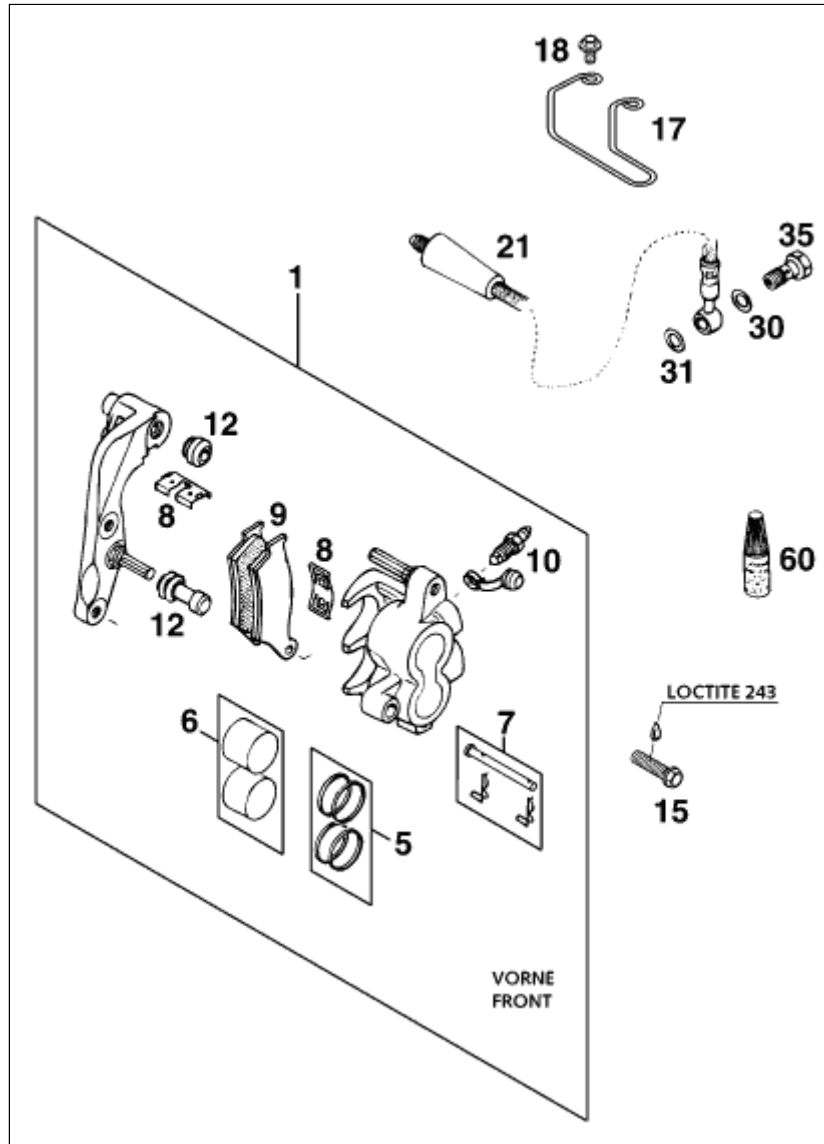
Item	Part #	Description	Retail
3	58305053001	CERAMIC LINE 1 METER	\$4.27
4	54309036000	RETURN SPRING L=38 MM	\$4.62
9	0015080353	HH COLLAR SCREW M 8X35 WS=10	\$2.30
11	51010086000	SELF LOCKING NUT M 6 COPPER	\$1.13
12	0125060003	WASHER DIN0125-A 6,4	\$0.28
13	0015060403	HH COLLAR SCREW M 6X40 WS=8	\$1.35
19	58705058000	PRE SILENCER CLAMP D=53MM '99	\$21.71
20	58305065044	BRACKET-PRE SILENCER CPL. '95	\$36.08
21	54305068100	DAMP. COMPONENT SILICONE GREY	\$9.00
24	51005067000	INSOLATE WASHER 8,5X28X3	\$1.36
25	54603048000	RANGE CHANGE METAL NUT M8	\$3.68
28	0015060163	HH COLLAR SCREW M 6X16 WS=8	\$0.47
30	50305016000	TEN.SPRING L=62MM EY.MOVEABLE original partnumber 58405007200 superceeded by 50305016000	\$6.62
31	58405008200	EXHAUST PIPE R/S "KTM584" '98	\$126.66
32	58405050300	PRESILENCER "KTM V2" 2000	\$151.87
34	58405005001	GRAPHITRING 45X50X25	\$17.33
37	58405005000	GRAPHIT RING 32X37X20	\$15.45

Licensed to Elite KTM Online Shopper, Copyright © 2004, 2005, 2006, 2007 B.H. Forbes, All Rights Reserved.

Component Detail

Print Close Window

Year	2001
Model	640 ADVENTURE-R (D)
Part	BRAKE CALIPER FRONT BREMBO LC4 ADVENTURE 2001



Copyright © by KTM NA All rights reserved.
Licensed to Elite KTM Online Shopper, Copyright © 2004, 2005, 2006, 2007 B.H. Forbes, All Rights Reserved.

Component Detail

Print Close Window

Year	2001
Model	640 ADVENTURE-R (D)
Part	BRAKE CALIPER FRONT BREMBO LC4 ADVENTURE 2001

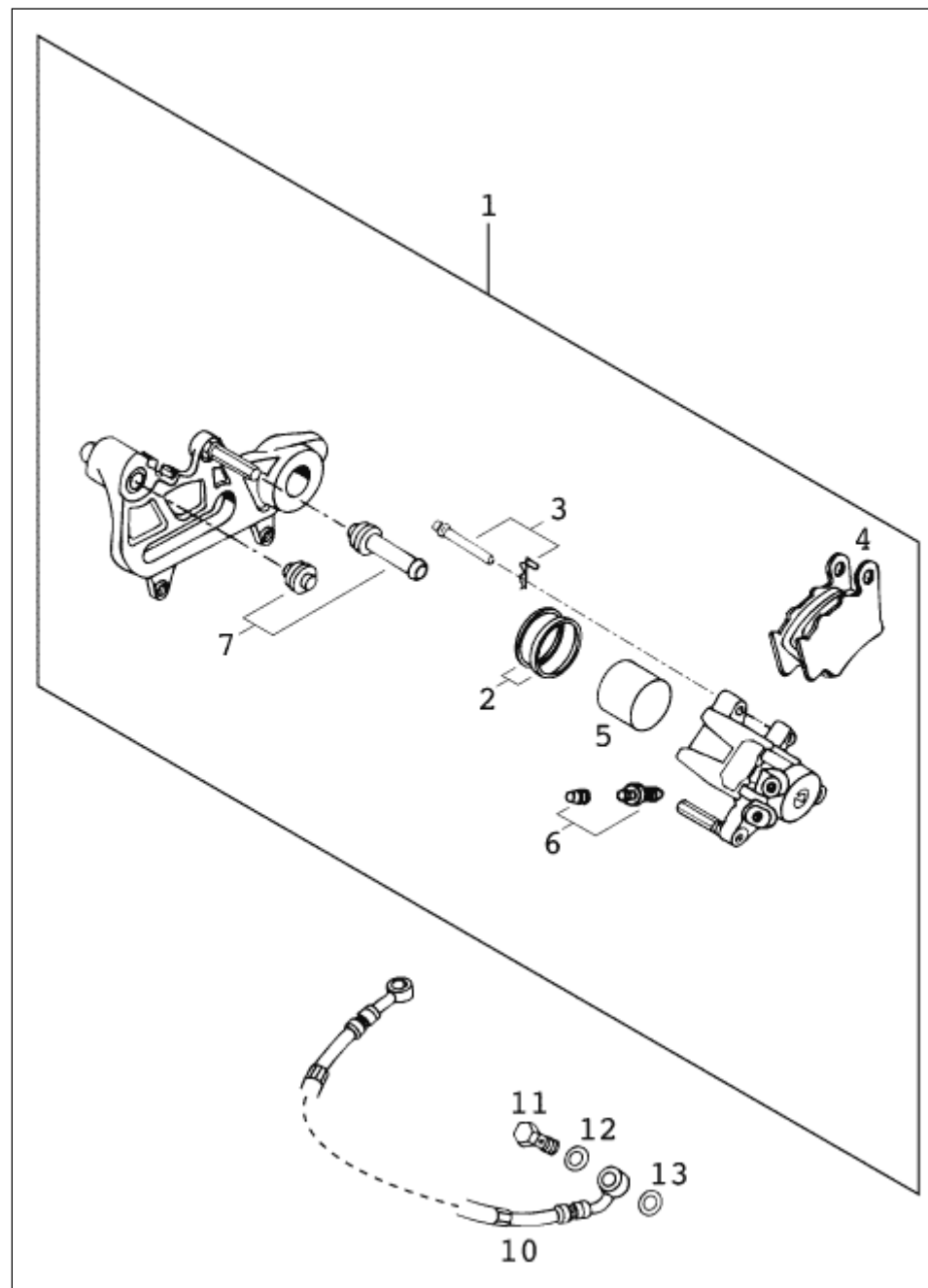
Item	Part #	Description	Retail
1	58413015244	BRAKECAL.FRONT CPL. 320MM 2000	\$239.75
5	54613205000	REPAIR KIT 28MM	\$22.23
6	54613206000	REPAIR KIT PISTON 28MM	\$44.07
7	54613210100	BOLT CPL. 6X56	\$18.85
8	54613212000	RETAINING PLATE SET BREMBO	\$21.38
9	54613209044	BRAKE PAD SET FR. FERODO ID450	\$38.66
9	58413030000	BRAKE P.SET FR. TEXTART4069 GF	\$39.21
10	60013020000	BLEEDER SCREW WITH CAP original partnumber 54513214000 superceeded by 60013020000	\$6.88
12	54613218000	CUP SET SHORT	\$28.28
15	0015080353	HH COLLAR SCREW M 8X35 WS=10	\$2.30
17	58213010150	BRAKE HOSE GUIDE 2001	\$7.28
18	0014060103	HH COLLAR SCREW M 6X10 WS=8	\$1.61
21	58313011100	BRAKE HOSE FRT WP 1290MM '99	\$51.68
30	42013226000	CU-SEAL RING DIN7603-10X16X1	\$1.36
31	42013026000	CU-SEAL RING DIN7603-10X16X1,5	\$1.12
35	50213025000	HOLLOW SCREW M10X1X19	\$5.69
60	6899785	LOCTITE 243 BLUE 6CCM	\$0.00

Licensed to Elite KTM Online Shopper, Copyright © 2004, 2005, 2006, 2007 B.H. Forbes, All Rights Reserved.

Component Detail

Print Close Window

Year	2001
Model	640 ADVENTURE-R (D)
Part	BRAKE CALIPER REAR ADVENTURE '97



Copyright © by KTM NA All rights reserved.

Licensed to Elite KTM Online Shopper, Copyright © 2004, 2005, 2006, 2007 B.H. Forbes, All Rights Reserved.

Component Detail

Print Close Window

Year	2001
Model	640 ADVENTURE-R (D)
Part	BRAKE CALIPER REAR ADVENTURE '97

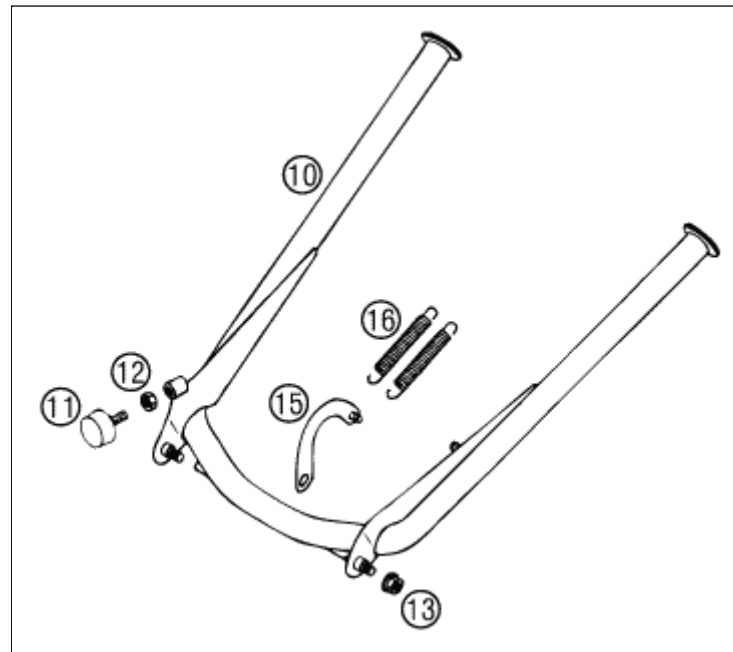
Item	Part #	Description	Retail
1	50213301644	BRAKE CALIPER CPL. REAR L/S	\$213.32
2	54613318200	REPAIR KIT SEALING RINGS 34MM	\$20.16
3	54613310200	BOLT SET	\$21.38
4	54613309200	BRAKE PAD SET REAR ID450	\$38.66
5	54613305200	BRAKE PISTON 34MM	\$45.03
6	60013020000	BLEEDER SCREW WITH CAP original partnumber 54513214000 superceeded by 60013020000	\$6.88
7	54613218000	CUP SET SHORT	\$28.28
10	58313070000	BRAKE HOSE REAR 790MM '97	\$46.80
11	50213025000	HOLLOW SCREW M10X1X19	\$5.69
12	42013226000	CU-SEAL RING DIN7603-10X16X1	\$1.36
13	42013026000	CU-SEAL RING DIN7603-10X16X1,5	\$1.12

Licensed to Elite KTM Online Shopper, Copyright © 2004, 2005, 2006, 2007 B.H. Forbes, All Rights Reserved.

Component Detail

Print Close Window

Year	2001
Model	640 ADVENTURE-R (D)
Part	CENTER STAND ADVENTURE 2001



Copyright © by KTM NA All rights reserved.
Licensed to Elite KTM Online Shopper, Copyright © 2004, 2005, 2006, 2007 B.H. Forbes, All Rights Reserved.

Component Detail

Print Close Window

Year	2001
Model	640 ADVENTURE-R (D)
Part	CENTER STAND ADVENTURE 2001

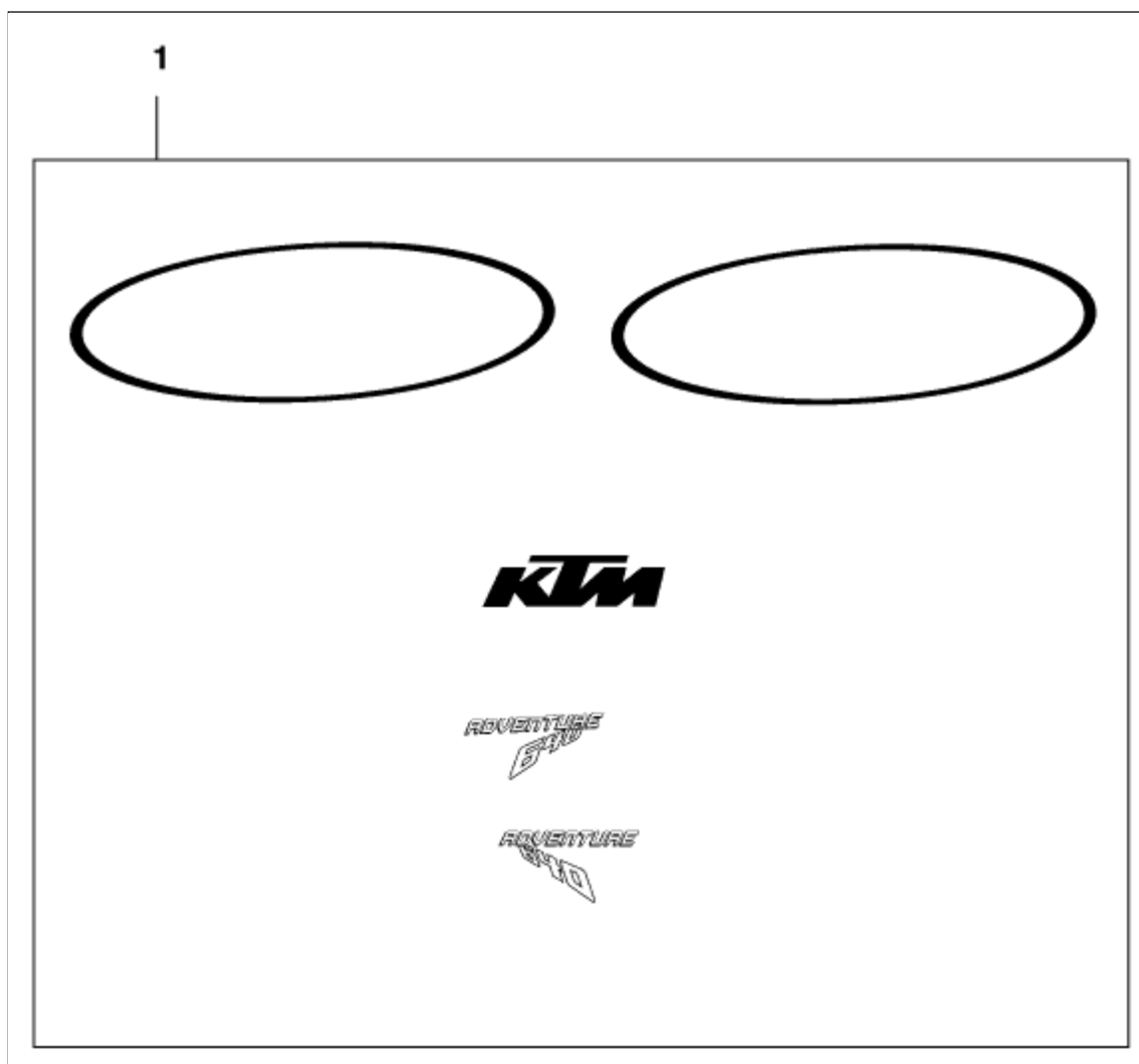
Item	Part #	Description	Retail
10	5750302200090	% CENTER STAND 378MM SILVER 20	\$0.00
11	58303070000	STOP RUBBER M8	\$7.92
12	0934080003	HEXAGON NUT DIN0934-M 8	\$0.58
13	54310086200	SELF LOCKING NUT M8 10.9	\$1.68
15	58303027000	SPRINGBOW '93	\$23.64
16	10003021000	STAND SPRING SHORT	\$6.75

Licensed to Elite KTM Online Shopper, Copyright © 2004, 2005, 2006, 2007 B.H. Forbes, All Rights Reserved.

Component Detail

Print Close Window

Year	2001
Model	640 ADVENTURE-R (D)
Part	DECAL ADVENTURE 2001



Copyright © by KTM NA All rights reserved.
Licensed to Elite KTM Online Shopper, Copyright © 2004, 2005, 2006, 2007 B.H. Forbes, All Rights Reserved.

Component Detail

[Print](#) [Close Window](#)

Year	2001
Model	640 ADVENTURE-R (D)
Part	DECAL ADVENTURE 2001

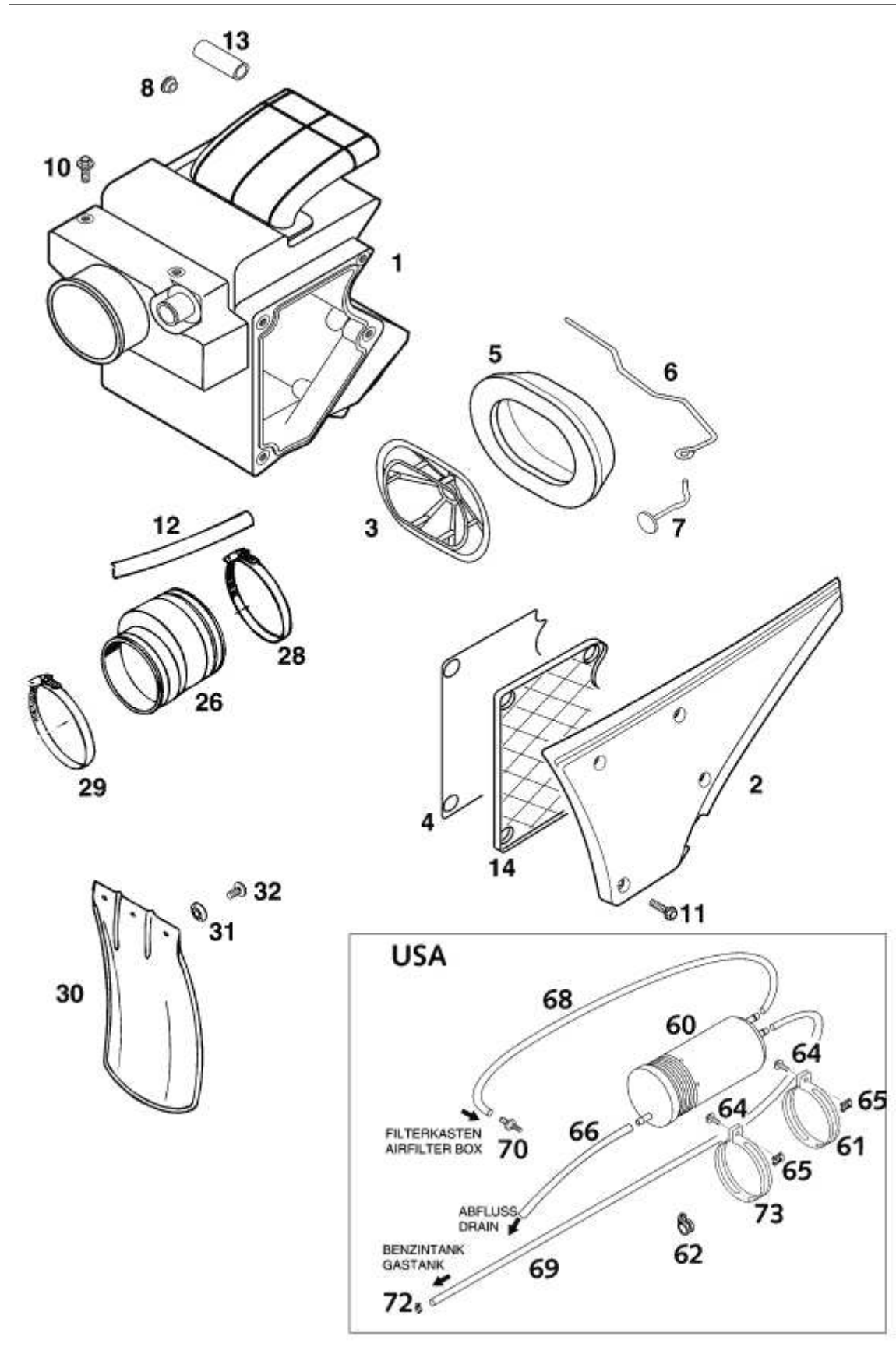
Item	Part #	Description	Retail
1	58207198000	DECAL SET ADV. SILV/ORAN 2001	\$94.27

Licensed to Elite KTM Online Shopper, Copyright © 2004, 2005, 2006, 2007 B.H. Forbes, All Rights Reserved.

Component Detail

Print Close Window

Year	2001
Model	640 ADVENTURE-R (D)
Part	FILTER BOX ADVENTURE 2001



Copyright © by KTM NA All rights reserved.
 Licensed to Elite KTM Online Shopper, Copyright © 2004, 2005, 2006, 2007 B.H. Forbes, All Rights Reserved.

Component Detail

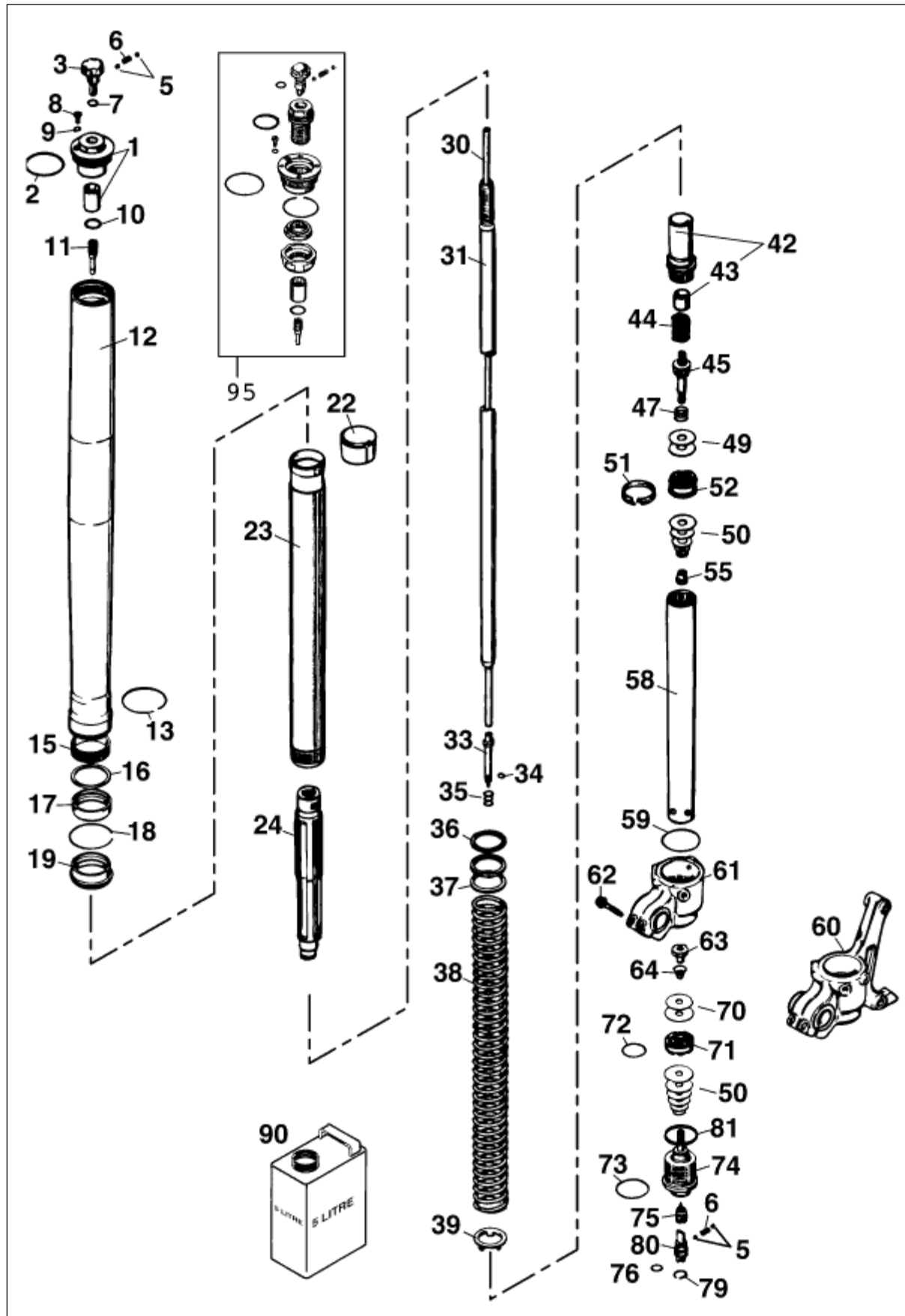
Print Close Window

Year	2001
Model	640 ADVENTURE-R (D)
Part	FILTER BOX ADVENTURE 2001

Item	Part #	Description	Retail
0	58406004000	FILTER BOX COVER R/S LC4'98	\$21.54
1	58406001200	FILTER BOX E-START 03 original partnumber 58406001100 superceeded by 58406001200	\$160.44
2	58406003100	FILTER BOX COVER L/S LC4'98	\$32.88
3	58406016000	FILTER CARRIER '97	\$11.85
4	58406090100	GASKET FILTER BOX COVER LC4'98	\$10.65
5	58406015100	AIRFILTER	\$28.91
6	58406017100	HOLDING HANGER FOR FILTER '98	\$19.58
7	58406017050	HOOK F.HOLDING HANG.FILTER '97	\$8.60
8	36111021000	PLUG	\$0.64
10	0017060203	EJOT PT SCREW K60X20 WS=6	\$0.17
11	0015050203	HH COLLAR SCREW M 5X20 WS=8	\$1.35
12	50307017300	PCV HOSE 10X14 PER M. L=300MM	\$0.00
13	57005020001	HOSE 10X14 PER METER	\$15.12
14	58406003150	CARRIER FILTER BOX GASKET '98	\$3.18
26	58406026000	AIR FILTER BOOT 400/640 LC4'97	\$16.49
28	55006028000	HOSE CLAMP 60-80MM	\$3.42
29	51006027000	HOSE CLAMP 50-70MM	\$6.22
30	54606010000	SPLASH PROTECT.FOR FILTER BOX	\$16.66
31	72210079000	BUCKET	\$2.31
32	0017060203	EJOT PT SCREW K60X20 WS=6	\$0.17

Licensed to Elite KTM Online Shopper, Copyright © 2004, 2005, 2006, 2007 B.H. Forbes, All Rights Reserved.

Year	2001
Model	640 ADVENTURE-R (D)
Part	FORK LEG WP USD 48 RALLYE 2001



Copyright © by KTM NA All rights reserved.
Licensed to Elite KTM Online Shopper, Copyright © 2004, 2005, 2006, 2007 B.H. Forbes, All Rights Reserved.

Component Detail

Print Close Window

Year	2001
Model	640 ADVENTURE-R (D)
Part	FORK LEG WP USD 48 RALLYE 2001

Item	Part #	Description	Retail
1	48600020S1	SCREW CAP M51X1,5 CPL. original partnumber 48600020S superceded by 48600020S1	\$61.34
2	46810016	O-RING NBR 48X2	\$3.62
3	48600018	KNOB REBOUNG ADJUSTER	\$4.63
5	40540603	STEEL BALL D=3MM	\$0.94
6	48600028	SPRING D=2,9 L=7,9	\$2.33
7	48600044	O-RING NBR 6X1,5	\$0.87
8	48600058	VENT SCREW M4X6	\$0.94
9	48600009	O-RING NBR 3,7X1,6	\$0.88
10	48600043	O-RING NBR 12X1,5	\$1.72
11	48600019	HOLDER F.ADJUSTMENT TUBE D=4MM	\$2.85
12	48600001	OUTER TUBE L=577mm D=54/60MM	\$253.91
13	48600016	GUIDING RING D=58MM	\$2.41
15	48600429S	LEADING BUSH 48X52X12+8MM original partnumber 48600007 superceded by 48600429S	\$58.07
16	48600013	SUPPORT RING 50 X 57,6 X 1,5	\$4.57
17	48600057	% OIL SEAL RING 48 X 57,7 X 9,	\$0.00
18	48600070	LOCK WASHER SB58	\$2.33
19	48600400	DUST CAP D=48 58,4X11,8 original partnumber 48600159 superceded by 48600400	\$26.59
22	48600428	DU-BUSH D47XD49X20DDL02 original partnumber 48600008 superceded by 48600428	\$35.00
23	48600002	INNER TUBE D=48MM L=590MM	\$415.44
24	48600155S	* HYDR.STOP L=200MM D=31,8 KPL	\$0.00
30	48600014	ADJUSTMENT TUBE L=512MM	\$13.42
31	48600023	PISTONR. D=14MM L=546MM M11X1	\$62.14
33	48600003	REBOUND NEEDLE	\$6.14
34	48600046	O-RING NBR 3X1,5	\$1.89
35	48600033	SPRING REBOUND NEEDLE C=4N/MM	\$12.17
36	48600036	SPACER 42X26,5X2,5	\$6.40
36	48600037	SPACER 42X26,5X5	\$6.30
37	48600154	SPACER 43,2X33X15	\$0.00
38	91410008	* SPRING 4,8N/MM SET D=5,25MM	\$0.00
39	48600021	INTERM. RING 26,2 X 43 X 3	\$14.68
42	43570132S	SCREW SLEEVE M29,3X1+BUSH	\$47.41
43	46810651	DU-BUSH 14X16X12	\$6.60
44	48600015	REBOUND SPRING D=14,6MM L=22MM	\$18.30
45	48600025	TAP REBOUND	\$26.33
47	48600059	SPRING CHECK VALVE D=0,25	\$7.84
49	40541414	SHIM 6X8,0X0,10	\$1.89
49	40541416	SHIM 6X8X0,3	\$1.76
49	48600062	CHECK VALVE 8X24X0,1	\$3.24
50	40540401	SHIM 6X14X0,1	\$2.68
50	40540402	SHIM 6X16X0,1	\$2.69
50	40540403	SHIM 6X18X0,1	\$2.82
50	40540405	SHIM 6X14X0,15	\$2.82
50	40540406	SHIM 6X16X0,15	\$2.69
50	40540414	SHIM 6X16X0,25	\$2.88
50	40540415	SHIM 6X18X0,25	\$2.84
50	40540447	SHIM 6X10X0,3	\$1.96
50	40541402	SHIM 6X11X0,2	\$2.84
50	48600063	SHIM 6X24X0,1	\$2.72
50	48600064	SHIM 6X22X0,1	\$2.66
50	48600065	SHIM 6X20X0,1	\$2.82
50	48600116	SHIM 6X24X0,1 DELTA	\$3.00
51	48600060	PISTON RING 5X1X84	\$4.63
52	48600042	PISTON REBOUND D=27,7	\$48.16
55	40540486	NUT M6X0,5 REBOUND	\$4.03
58	48600081	TUBE 29,3X1X390 D=8,5MM	\$91.08
59	48600048	O-RING NBR 46 X 2	\$1.89
60	48600171	AXLE CLAMP L/S RALLYE 2001	\$0.00
61	48600170	AXLE CLAMP R/S RALLYE 2001	\$0.00
62	0015080303	HH COLLAR SCREW M 8X30 WS=10 original partnumber 50600061 superceded by 0015080303	\$1.96
63	40541241	CHECK VALVE NUT M6X0,5	\$7.29
64	40541278	SPRING CHECK VALVE D=0,5MM	\$3.83
70	48600061	CHECK VALVE 8X24X0,4	\$3.31
71	48600047	PISTON COMPRESSION D=27,9	\$48.90

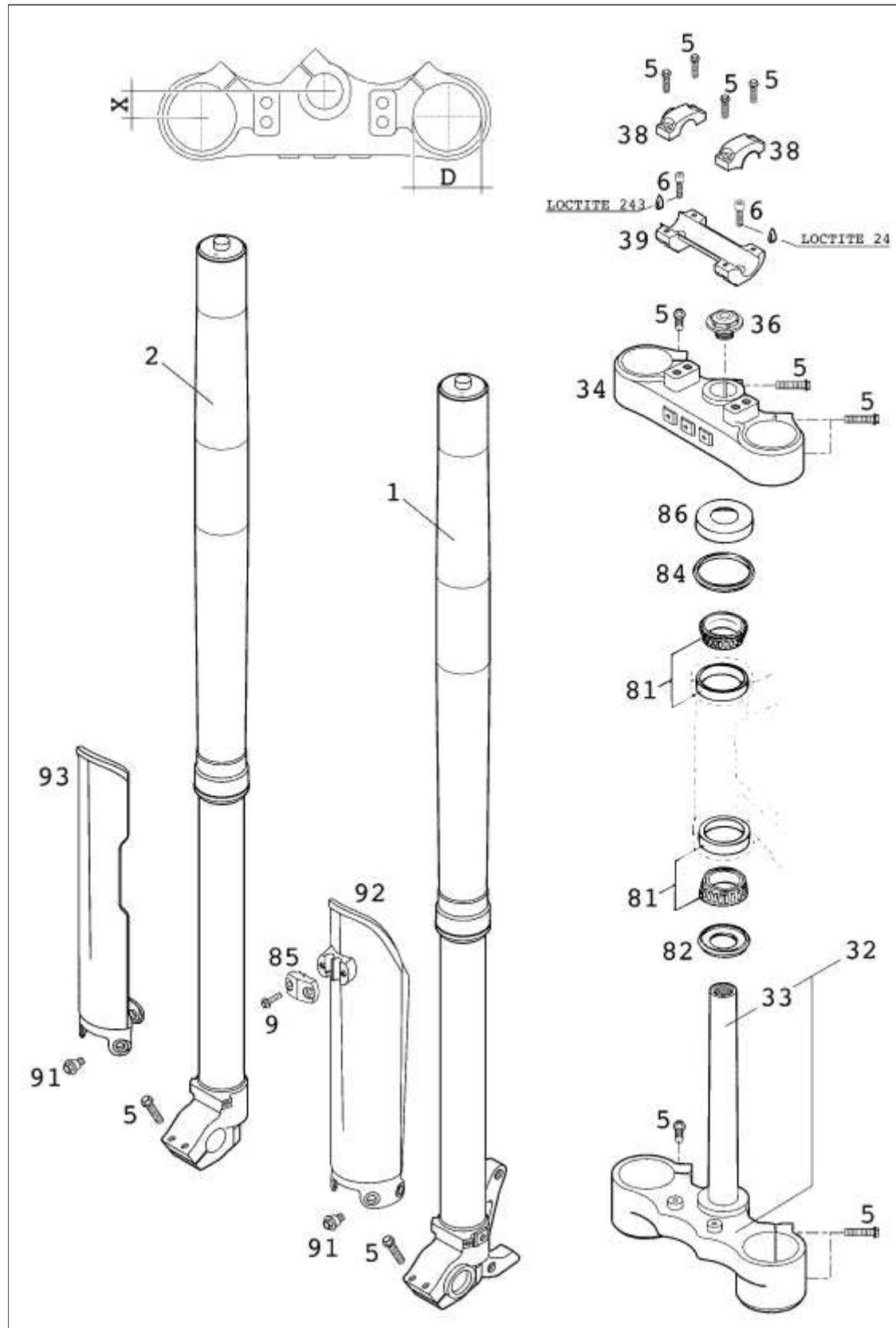
72	46811499	O-RING NBR 21X2	\$1.46
73	35480320	O-RING NBR 24X2	\$2.10
74	48600027S	TAP COMPRESSION	\$59.43
75	48600035	NEEDLE COMPRESSION M10X1	\$5.27
76	48600049	O-RING NBR 8X2	\$3.64
79	48600051	LOCK WASHER RB12	\$1.09
80	48600034	COMPRESSION ADJ. SCREW	\$7.99
81	48600004	COPPER WASHER 29,5X33,5X1	\$1.45
90	40540882	% FORKOIL REZ 71 SAE 5	\$0.00

Licensed to Elite KTM Online Shopper, Copyright © 2004, 2005, 2006, 2007 B.H. Forbes, All Rights Reserved.

Component Detail

Print Close Window

Year	2001
Model	640 ADVENTURE-R (D)
Part	FORK USD 48 MA ADV. 2001



Copyright © by KTM NA All rights reserved.

Licensed to Elite KTM Online Shopper, Copyright © 2004, 2005, 2006, 2007 B.H. Forbes, All Rights Reserved.

Component Detail

Print Close Window

Year	2001
Model	640 ADVENTURE-R (D)
Part	FORK USD 48 MA ADV. 2001

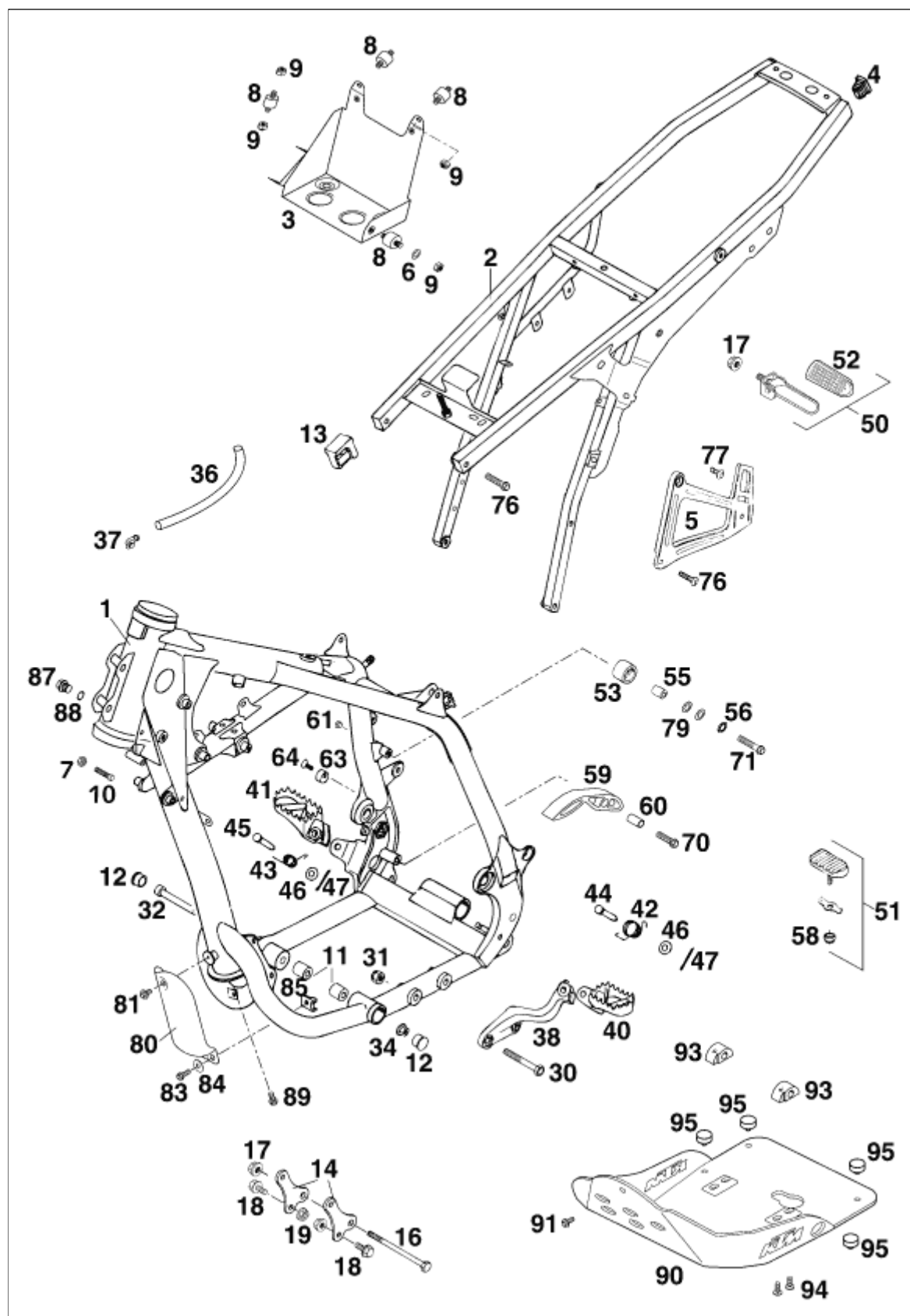
Item	Part #	Description	Retail
1	1418V704LS	FORK LEG L/S USD 48 ADV. 2001	\$0.00
2	1418V704RS	FORK LEG R/S USD 48 ADV. 2001	\$0.00
5	0015080303	HH COLLAR SCREW M 8X30 WS=10	\$1.96
6	0984100703	AH SCREW DIN6912-M10X70	\$7.60
9	0017060203	EJOT PT SCREW K60X20 WS=6	\$0.17
32	58201032018	% BOT.TRIPLE CLAMP USD 48 200	\$0.00
33	50101033100	FORK TUBE L=244 '91	\$94.74
34	58401034218	TOP TRIPLE CLAMP X=18MM/D=54MM	\$164.79
36	50301036000	STEER.HEAD SCREW M20X1,5 WS=27	\$8.90
38	59001038200	HANDLEBAR CLAMP D=28MM 2000	\$17.69
39	59001039100	HANDLEBAR SUPPORT 28MM SC'99	\$38.95
40	56401042000	WASHER 10,5X32X2	\$3.74
41	56401040000	RUBBER BUSHING	\$4.05
42	56401142000	WASHER 10,5X31	\$3.78
43	0985100003	SELF LOCKING NUT DIN0985-M10	\$1.35
44	56401041100	SPACER TUBE 10,2X12X44	\$5.74
81	54201081100	TAPERED ROLLER BEARING CPL. 06 original partnumber 54201081000 superceeded by 54201081100	\$31.59
82	54601084100	O-RING SUPPORT W. SEALING LIP	\$23.38
84	54601184000	STEERING HEAD GASKET TOP	\$6.22
85	58201085000	CLAMP F.SPEED CABLE D=8MM 2001	\$2.61
86	54201086000	STEERING HEAD COVER	\$7.39
91	59001092050	SPECIAL SCREW M6X12,5 WS=8	\$0.87
92	5900109400030	FORK PROTECT. L/S+R/S BLACK 02 original partnumber 59001092100 superceeded by 5900109400030	\$31.99
93	5900109400030	FORK PROTECT. L/S+R/S BLACK 02 original partnumber 59001093100 superceeded by 5900109400030	\$31.99

Licensed to Elite KTM Online Shopper, Copyright © 2004, 2005, 2006, 2007 B.H. Forbes, All Rights Reserved.

Component Detail

Print Close Window

Year	2001
Model	640 ADVENTURE-R (D)
Part	FRAME, SUBFRAME ADVENTURE 2001



Copyright © by KTM NA All rights reserved.
Licensed to Elite KTM Online Shopper, Copyright © 2004, 2005, 2006, 2007 B.H. Forbes, All Rights Reserved.

Component Detail

Print Close Window

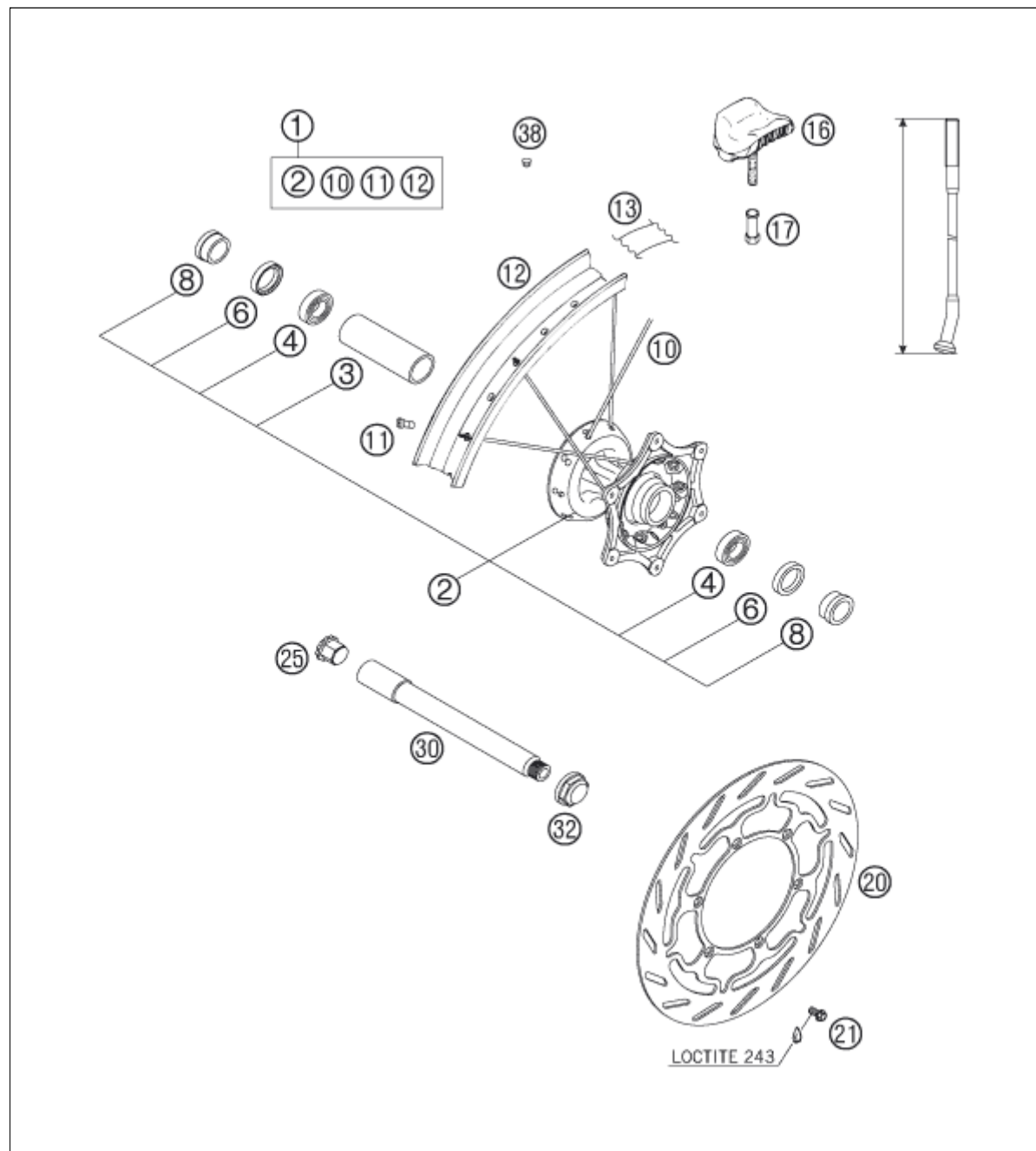
Year	2001
Model	640 ADVENTURE-R (D)
Part	FRAME, SUBFRAME ADVENTURE 2001

Item	Part #	Description	Retail
0	5810300420090	FOOTRESTBRACK. REAR R/S SILVER	\$79.90
0	58303150044	FOOT REST REAR R/S CPL.'95	\$75.80
1	58203001300	% FRAME W.OILRES.ADV.SILVER 20	\$0.00
2	5840300234490	SUBFRAME CPL. STEEL SILVER 00 original partnumber 5840300230090 superceded by 5840300234490	\$327.29
3	58403002270	BRACKET F. BATTERY LC4 '99	\$81.64
4	58303002090	PLUG 12 X 17 MM	\$1.15
5	5840304800090	FOOTRESTBRACK. REAR L/S 04 original partnumber 5810300320090 superceded by 5840304800090	\$49.55
6	0137060003	SPRING WASHER DIN0137-B 6 original partnumber 0137060000 superceded by 0137060003	\$0.28
7	0934080003	HEXAGON NUT DIN0934-M 8	\$0.58
8	58403002010	RUBBER GROMMET 20X15-M6X8-(2)	\$10.73
9	0985060003	SELF LOCK. NUT DIN0985-M 6	\$0.28
10	59001037000	SPECIAL SCREW M8X26 WS=10	\$1.56
11	58003012000	SPACER ROLLER 10,3X20X22	\$10.46
12	71001012100	PVC CAP D=22MM	\$1.36
13	58307015000	TANK SUPPORT '93	\$6.17
14	58303055000	ENGINE SUPPORT AGW '94	\$10.38
16	0931101103	HH SCREW DIN0931-M10X110	\$2.02
17	49009082000	SELF LOCKING NUT M10 FK8	\$2.53
18	49109481052	HH COLLAR SCREW M 8X16 WS=13	\$2.24
19	54310086200	SELF LOCKING NUT M8 10.9	\$1.68
30	0931100603	HH SCREW DIN0931-M10X60	\$1.52
31	0985100003	SELF LOCKING NUT DIN0985-M10	\$1.35
32	0912101603	AH SCREW DIN0912-M10X160	\$7.44
34	54630044000	COLLAR NUT M10 WS=13	\$2.38
36	55007016001	PVC-HOSE 7X10 PER METER	\$6.56
37	50303089000	ANGEL PIECE '97	\$1.06
38	58303038000	FOOTREST BRACKET L/S '93	\$41.80
40	5830304000090	FOOTREST L/S SILVER '99	\$31.07
41	5460314000090	FOOT REST R/S SILVER '98	\$29.57
42	58303041000	FOOTREST SPRING L/S '93	\$2.88
43	54603041000	FOOTREST SPRING L/S & R/S	\$3.67
44	58303044000	BOLT FOR FOOTREST	\$7.46
45	54603044000	BOLT FOR FOOTREST 9,8 X 50	\$7.31
46	0125100003	WASHER DIN0125-A10,5	\$0.28
47	0094032253	PIN DIN0094-3,2X25 STEEL	\$0.56
50	58303050044	FOOTREST REAR L/S CPL. '95	\$76.45
51	58303045044	FOOTREST RUBBER CPL. '94	\$13.79
52	58303051000	FOOTREST RUBBER L/S&R/S DUKE95	\$14.25
53	58403060000	CHAIN ROLL 12X29X22,5 '98	\$4.92
55	58403060065	BUSH CHAIN ROLL 8X12X23 '98	\$2.01
56	36003014000	LOCK WASHER 8MM	\$0.15
58	0985060003	SELF LOCK. NUT DIN0985-M 6	\$0.28
59	51103053000	CHAIN SLIDING PIECE BELOW '97	\$5.88
60	51103053051	BUSHING 8,2X10X20	\$3.35
61	54403135000	PLASTIC CAP SFL10	\$1.98
63	58303063000	BRAKE LEVER STOP '93	\$3.62
64	0991060203	FLAT H.SCREW DIN7991-M6X20 8.8	\$2.72
70	0015080303	HH COLLAR SCREW M 8X30 WS=10	\$1.96
71	0015080453	HH COLLAR SCREW M 8X45 WS=10	\$1.62
76	54510052100	SPROCKET SCREW-AH M8X26 WS=6	\$3.31
77	54610052000	SPROCKET SCREW-AH M8X20 WS=6	\$2.16
79	0125080003	WASHER DIN0125-A 8,4	\$0.28
80	58303010000	COVER OIL FILTER '94	\$33.34
81	0014060103	HH COLLAR SCREW M 6X10 WS=8	\$1.61
83	0015060163	HH COLLAR SCREW M 6X16 WS=8	\$0.47
84	0021060003	WASHER DIN9021-A 6,4	\$0.30
85	54603048100	RANGE CHANGE METAL NUT M6	\$1.96
87	0910100003	PLUG DIN0910-M 10X1	\$3.03
88	58038022900	CU-SEAL RING 10 X 14 X 1,5	\$1.31
89	0912060106	AH SCREW DIN0912-M 6X10 10.9	\$0.28
90	58412099044	SKID PLATE LIMITED CPL. 97 original partnumber 58412099000 superceded by 58412099044	\$124.36
91	0014060103	HH COLLAR SCREW M 6X10 WS=8	\$1.61
93	58003012200	ENGINE PROTECTOR BRACKET '97	\$18.11
94	0014060153	HH COLLAR SCREW M 6X15 WS=8	\$0.65
95	54308042000	RUBBER BUFFER	\$3.15

Component Detail

Print Close Window

Year	2001
Model	640 ADVENTURE-R (D)
Part	FRONT WHEEL



Copyright © by KTM NA All rights reserved.

Licensed to Elite KTM Online Shopper, Copyright © 2004, 2005, 2006, 2007 B.H. Forbes, All Rights Reserved.

Component Detail

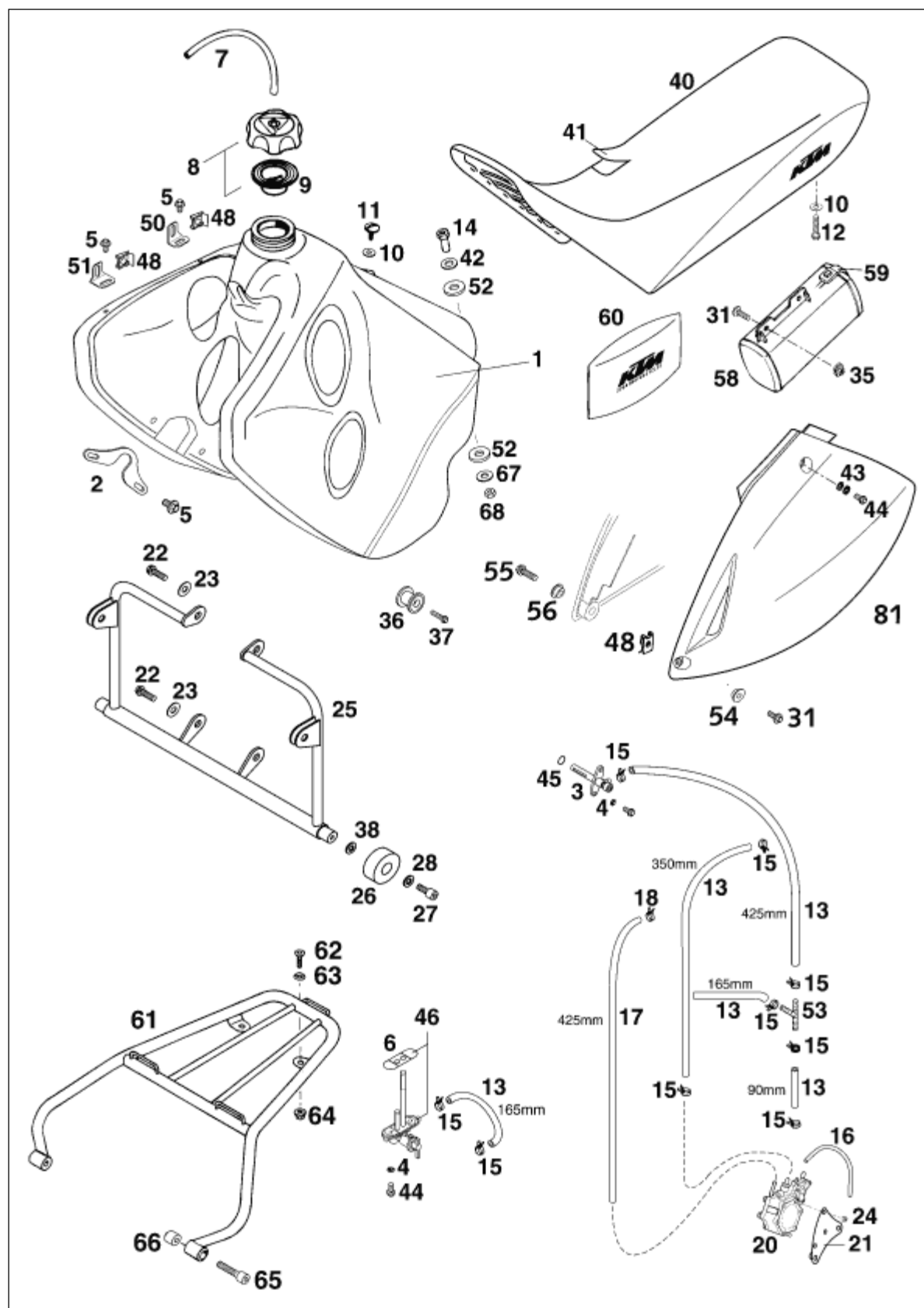
Print Close Window

Year	2001
Model	640 ADVENTURE-R (D)
Part	FRONT WHEEL

Item	Part #	Description	Retail
1	55003135000	PLUG FOR RIM original partnumber 58409001944 superceeded by 55003135000	\$0.28
2	5480901024491	FRONT HUB CPL. SILVER 06	\$227.94
3	54809011000	BEA.SPACERTUBE 35X2 L=79,4 03	\$24.11
4	0625069068	GR.BALL BEAR.6906 DDU2CG23S6NM	\$25.73
6	0760354771	SHAFT SEAL RING 35X47X7 TC	\$7.69
8	58409012000	SPACER BUSHING FRONT WHEEL 06	\$9.21
10	50309071228	SPOKE M4,5X228-15G 21" DDE	\$0.00
11	50309072000	SPOKE NIPPLE M4,5X0,75 8X21	\$0.98
12	54809070000	FRONT RIM 1,6X21" EXCEL AL7	\$174.90
13	58409073100	RIM BAND FRONT 2MM 2003	\$4.26
16	51009100100	RIM LOCK VM1 (1,60")	\$31.91
17	50310090050	NUT FOR WHEEL HOLDER '96	\$3.47
20	58209060000	BRAKE DISK FRONT D=320MM 2002	\$204.73
21	59009062013	SPECIAL SCREW M6X13 WS=8 10.9	\$0.60
25	50309081150	HANDLE FOR FRONT AXLE WS=21	\$1.71
30	50309081200	WHEEL SP. FRO.USD43 185MM 2001	\$42.69
32	50309082100	AXLE NUT FRONT M16X1,5/WS=27	\$8.22
38	55003135000	PLUG FOR RIM	\$0.28

Licensed to Elite KTM Online Shopper, Copyright © 2004, 2005, 2006, 2007 B.H. Forbes, All Rights Reserved.

Year	2001
Model	640 ADVENTURE-R (D)
Part	FUEL TANK, SEAT, COVERING ADVENTURE 2001



Copyright © by KTM NA All rights reserved.
Licensed to Elite KTM Online Shopper, Copyright © 2004, 2005, 2006, 2007 B.H. Forbes, All Rights Reserved.

Component Detail

Print Close Window

Year	2001
Model	640 ADVENTURE-R (D)
Part	FUEL TANK, SEAT, COVERING ADVENTURE 2001

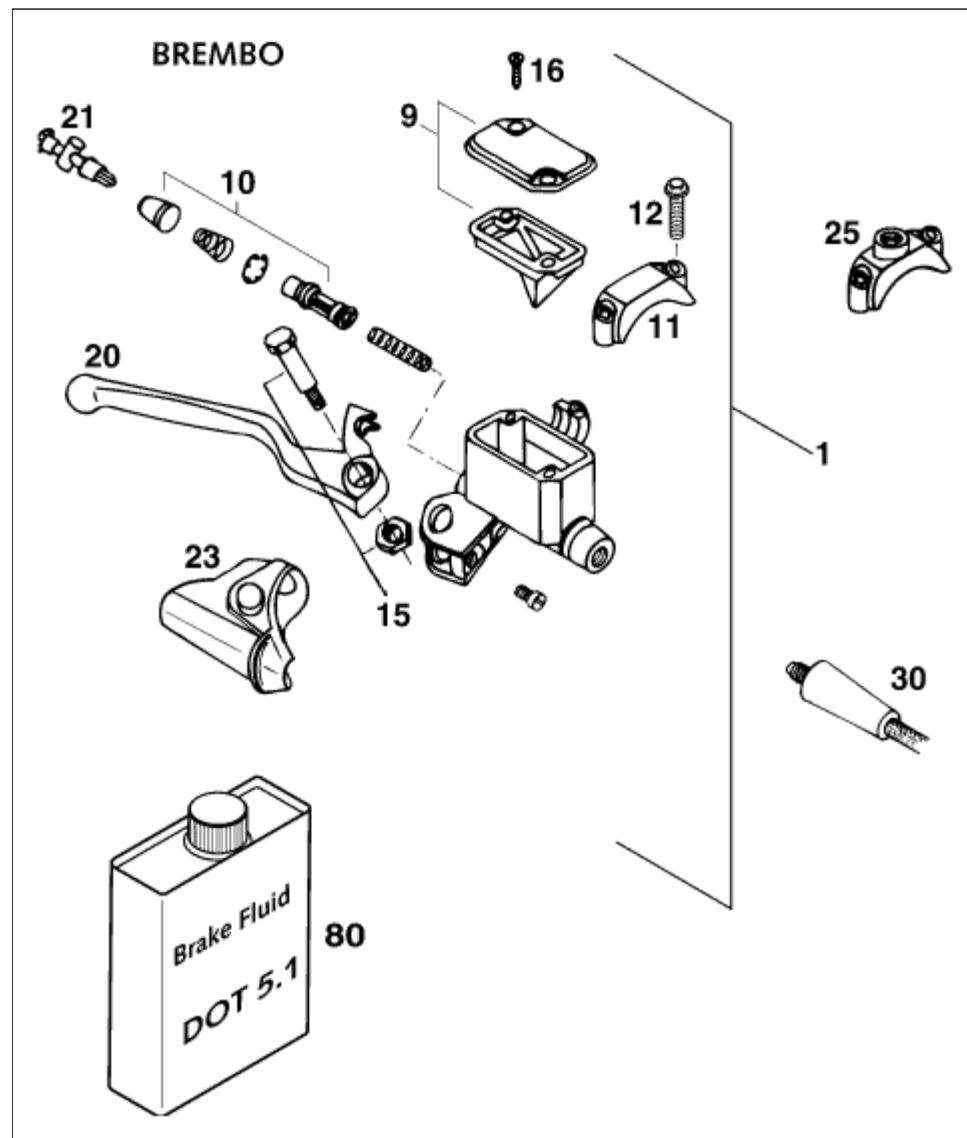
Item	Part #	Description	Retail
0	58211001061	BRACKET R/S TOP '97	\$11.72
0	5840804210004	SIDE COVER R/S ORANGE LC4'99	\$20.81
1	5820701314490	FUEL TANK KPL. 30L ADVENT. 02 original partnumber 5820701304490 superceded by 5820701314490	\$1,138.81
2	58507023000	BRACKET FOR 30 LITER TANK	\$6.52
3	58507003000	FUEL COCK CPL. SMALL RALLYE'96	\$13.79
4	0603061001	CU-SEAL RING DIN7603-6X10X1	\$0.91
5	0014060103	HH COLLAR SCREW M 6X10 WS=8	\$1.61
6	58307106100	GASKET FUEL COCK MIKUNI	\$7.03
7	31007107001	PVC-HOSE 6X9 MM PER METER	\$5.31
8	59007008044	FILLER CAP CPL. WITH VALVE	\$20.89
9	59007009000	GASKET FOR FILLER CAP HIGH	\$6.04
10	0125060003	WASHER DIN0125-A 6,4	\$0.28
11	58007044000	OVAL HEAD SCREW M6X15	\$5.79
12	58407011100	SCREW FOR SEAT M6X11,5/8 original partnumber 58407011000 superceded by 58407011100	\$2.91
13	54435024001	HOSE ID 7,5 PER METER	\$26.42
14	58307014000	SPECIAL NUT M8	\$4.80
15	58007117000	YDNAC-CLAMP 10107 10MM	\$2.37
16	31007007001	PVC-HOSE 5 X 8 MM	\$5.42
17	58205035001	HOSE 6X10 PER METER	\$14.19
18	58007017000	YDNAC CLAMP 10101 (9MM)	\$2.01
20	58312093000	FUEL PUMP MIKUNI RALLYE	\$115.03
21	58212071000	BRACKET FOR FUEL PUMP	\$21.02
22	0015060203	HH COLLAR SCREW M 6X20 WS=8	\$1.16
23	0021060003	WASHER DIN9021-A 6,4	\$0.30
24	0985050003	SELF LOCKING NUT DIN0985-M 5	\$0.58
25	5851209200090	BRACKET 30LT TANK SILVER '97	\$144.74
26	50107015000	TANKROLL 13X36X16	\$6.36
27	0912060163	AH SCREW DIN0912-M 6X16	\$0.93
28	0125060003	WASHER DIN0125-A 6,4	\$0.28
31	0015060163	HH COLLAR SCREW M 6X16 WS=8	\$0.47
35	50235033300	SNAP-NUT HOLDER M6 KP142	\$5.92
36	58307113250	TANK BUSHING CPL. 12 X 34 X 25	\$12.16
37	0015060253	HH COLLAR SCREW M 6X25 WS=8	\$0.93
38	12011016000	WASHER 6 X 12 X 3	\$0.15
40	58207040400	SEAT ADVENTURE 2001	\$107.48
41	58207040450	SEAT COVER SILVER ADVENTURE 01	\$40.16
42	58307019000	WASHER 10,5 X 25 X 1,5	\$1.30
43	50233041000	PAIR OF WASHERS M 6 NORDLOCK	\$2.86
44	0015060123	HH COLLAR SCREW M 6X12 WS=8	\$1.70
45	55007006200	O-RING 11X1,8 NBR 70	\$2.53
46	51107004000	FUEL COCK CPL.MIKUNI CK-69 '96	\$51.90
48	54603048100	RANGE CHANGE METAL NUT M6	\$1.96
50	58211001060	BRACKET L/S TOP '97	\$12.43
51	58211001062	BRACKET BELOW FOR MASK '97	\$12.21
52	51005067100	INSULATE WASHER 12X28X3	\$1.33
53	58007015000	T-CONNECTOR FOR FUEL LINE	\$6.70
54	50308052000	BUSH FOR SPOILER 6X11X16X5 MM	\$2.92
55	0015060203	HH COLLAR SCREW M 6X20 WS=8	\$1.16
56	50308052000	BUSH FOR SPOILER 6X11X16X5 MM	\$2.92
58	58012058000	TOOL BOX CPL. '92	\$36.71
59	58012058050	RUBBER FOR TOOL BOX '92	\$8.12
60	58329099000	ORIGINAL EQUIPMENT TOOL KIT	\$45.41
61	5841201020030	BAGGAGE CARRIER BLACK MIL LC4	\$135.88
62	0991060203	FLAT H.SCREW DIN7991-M6X20 8.8	\$2.72
63	40006006000	WASHER 6MM	\$0.91
64	56509064100	SELF LOCKING NUT M6 10.9	\$1.14
65	0912060353	AH SCREW DIN0912-M 6X35	\$1.35
66	58412011100	BUSH FOR BAGGAGE CARRIER 2000	\$1.71
67	0021080003	WASHER DIN9021-A 8,4	\$0.44
68	0934080003	HEXAGON NUT DIN0934-M 8	\$0.58
81	5840804100004	SIDE COVER L/S ORANGE LC4'99	\$20.81

Licensed to Elite KTM Online Shopper, Copyright © 2004, 2005, 2006, 2007 B.H. Forbes, All Rights Reserved.

Component Detail

Print Close Window

Year	2001
Model	640 ADVENTURE-R (D)
Part	HAND BRAKE CYLINDER BREMBO ADVENTURE 2001



Copyright © by KTM NA All rights reserved.
Licensed to Elite KTM Online Shopper, Copyright © 2004, 2005, 2006, 2007 B.H. Forbes, All Rights Reserved.

Component Detail

Print Close Window

Year	2001
Model	640 ADVENTURE-R (D)
Part	HAND BRAKE CYLINDER BREMBO ADVENTURE 2001

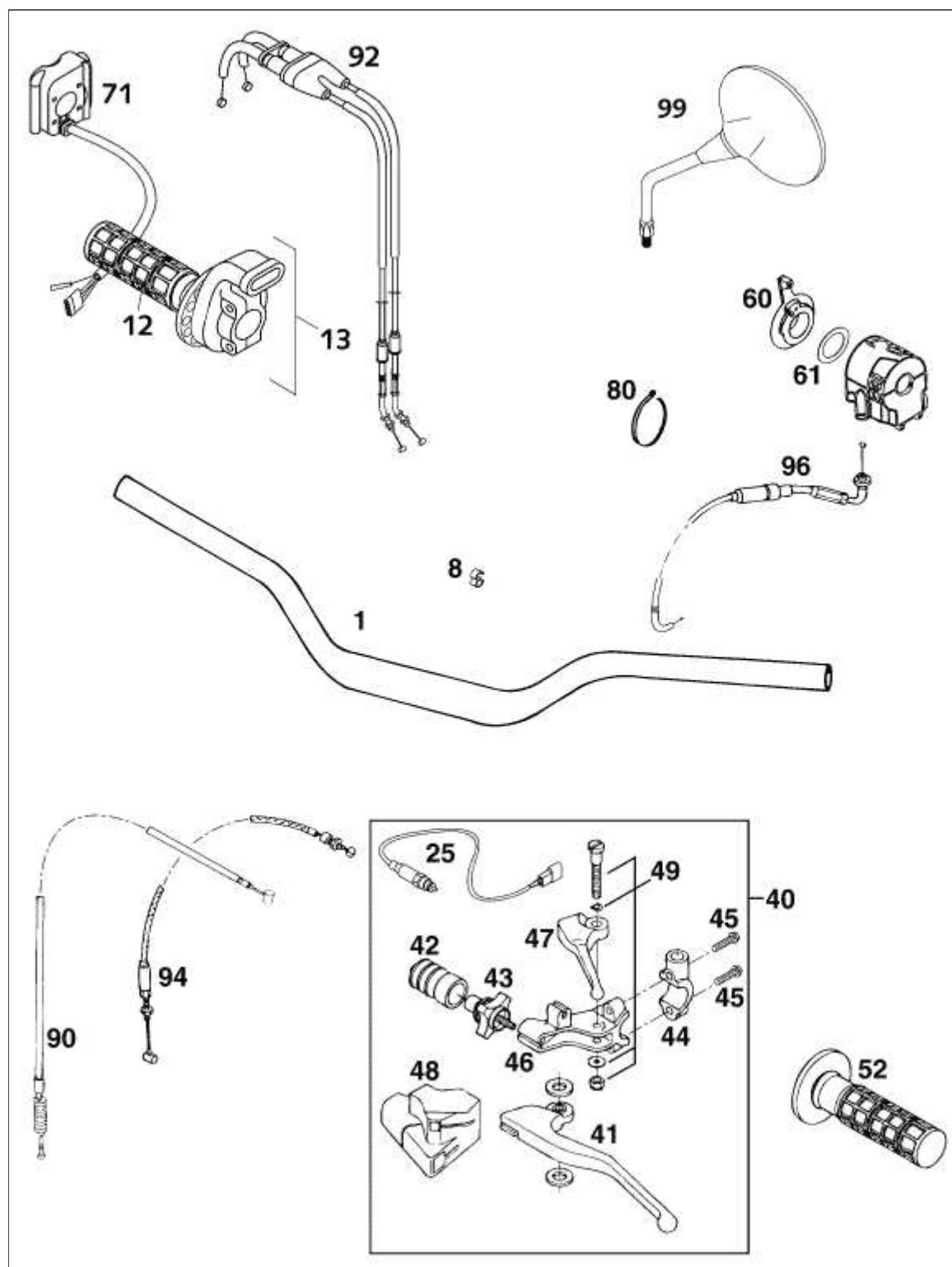
Item	Part #	Description	Retail
1	58413001000	HAND BRAKE CYLINDER BLACK 2000	\$165.66
9	50213012000	COVER CPL.	\$33.93
10	50213050000	REPAIR KIT PISTON 11MM	\$29.38
11	54413011000	CLAMP BREMBO	\$25.69
12	0015060253	HH COLLAR SCREW M 6X25 WS=8	\$0.93
15	50213015000	LEVER SCREW CPL.	\$16.04
16	0965040123	FLAT HEAD SCREW DIN0965-M 4X12	\$0.28
20	50213020000	HAND BRAKE LEVER LOOSE BREM'94	\$43.17
21	50213021000	ADJUSTING SCREW CPL.	\$22.47
23	50213023000	PROTECTION CAP BREMBO'94	\$22.65
25	58012040150	CLAMP FOR MIRROR 1994	\$20.16
30	58413011200	BRAKEHOSE FR.L=1225MM LC4 2000	\$74.75
80	306054	BRAKE FLUID DOT 4.0	\$13.39

Licensed to Elite KTM Online Shopper, Copyright © 2004, 2005, 2006, 2007 B.H. Forbes, All Rights Reserved.

Component Detail

Print Close Window

Year	2001
Model	640 ADVENTURE-R (D)
Part	HANDLEBAR,INSTRUMENTS ADVENTURE 2001



Copyright © by KTM NA All rights reserved.
Licensed to Elite KTM Online Shopper, Copyright © 2004, 2005, 2006, 2007 B.H. Forbes, All Rights Reserved.

Component Detail

Print Close Window

Year	2001
Model	640 ADVENTURE-R (D)
Part	HANDLEBAR,INSTRUMENTS ADVENTURE 2001

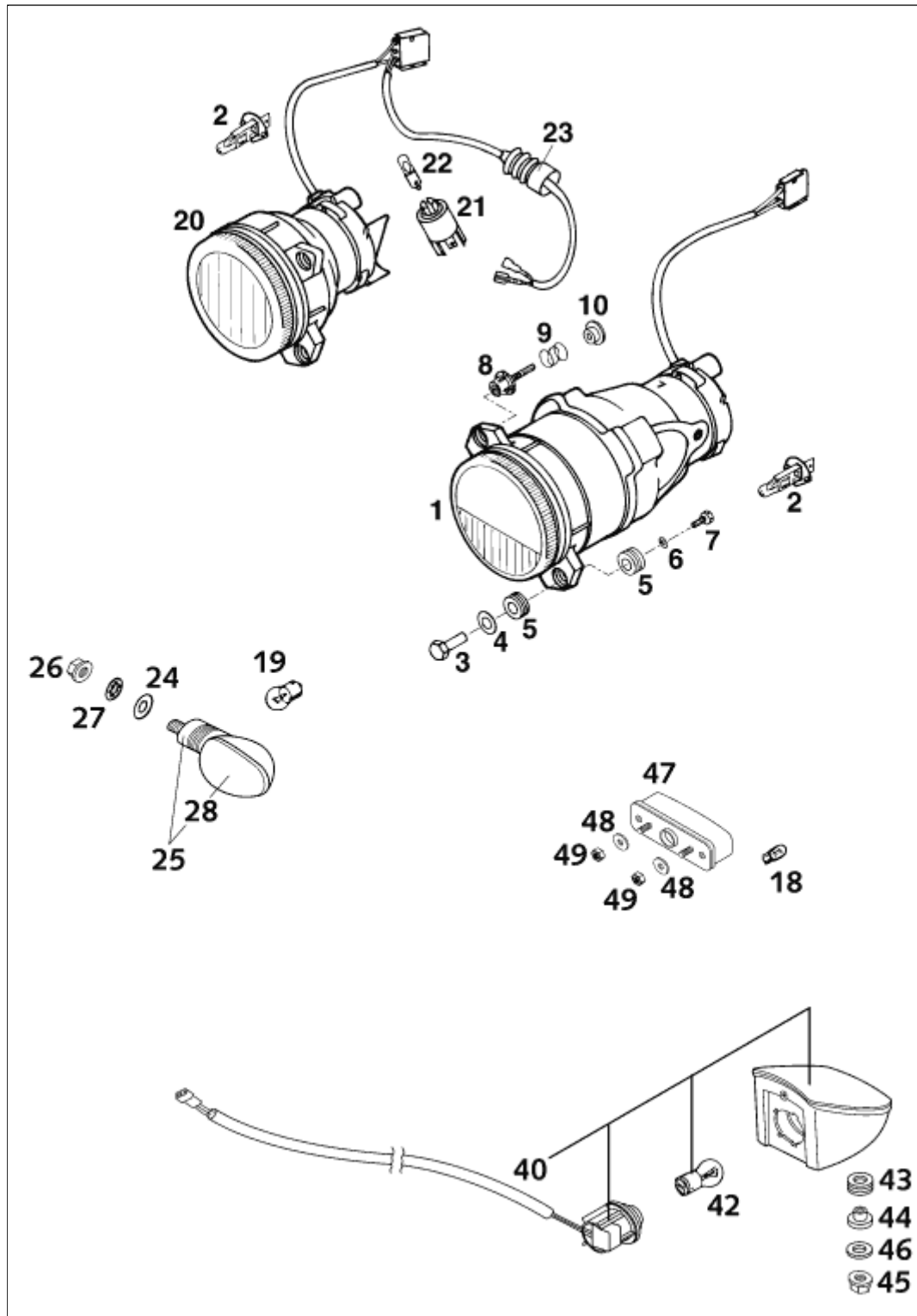
Item	Part #	Description	Retail
0	44011076200	CABLE TIE 200/3,6MM BLACK	\$0.69
1	58302001300	ALU-HANDLEBAR SX,SC,ADVENT.'97	\$107.42
8	55011022000	CLAMP D=6/8MM, BLACK	\$0.64
12	58302021000	GRIPP SET FULL WAFFLE original partnumber 58302003000 superceeded by 58302021000	\$19.66
13	58702010000	THROTTLE GRIP CPL. DUKE 2000	\$60.41
25	58411049000	CLUTCH SWITCH '96	\$26.70
40	58402040100	CLUTCH LEVER CPL. DOMINO '97	\$94.90
41	58402042000	CLUTCH LEVER LOOSE SILVER '97	\$31.57
42	58302126000	CLUTCH LEVER BOOT '95	\$3.01
43	58302043000	ADJUSTMENT SCREW CPL.M7	\$20.14
44	58302044000	CLAMP MIRROR M10x1,25	\$10.25
45	0015060253	HH COLLAR SCREW M 6X25 WS=8	\$0.93
46	58402041000	JOINT (PIVOT) DOMINO '96	\$31.21
47	58302047000	DECOMPRESSION LEVER LOOSE	\$11.28
48	58302048000	PROTECTING COVER original partnumber 58402048000 superceeded by 58302048000	\$7.40
49	58302049000	LEVER SCREW CPL.	\$5.39
52	58302052000	FIXED GRIP DOMINO '93	\$6.90
60	58302050100	CHOKE LEVER DOMINO '94	\$8.44
61	0988253505	THRUST WASH. DIN0988-25X35X0,5	\$3.27
71	58211074100	START-STOP OFF DOMINO AD'01	\$40.23
80	44011076100	CABLE TIE 100/2,5MM BLACK	\$0.00
90	58402090000	CLUTCH CABLE 4T L=1115MM '99	\$22.61
92	58402091600	THROTT.CABLE "OPEN-CLOSE" 2000	\$67.55
94	58302094200	DECOMPR. CABLE L=693,5 LC4 '99	\$20.99
96	58402095000	CHOKE CABLE FOR MIKUNI LC4 '98	\$33.06
99	58412040100	REAR MIRROR L/S+R/S LC4 2001	\$46.84

Licensed to Elite KTM Online Shopper, Copyright © 2004, 2005, 2006, 2007 B.H. Forbes, All Rights Reserved.

Component Detail

Print Close Window

Year	2001
Model	640 ADVENTURE-R (D)
Part	HEADLIGHT ZKW ADVENTURE 2001



Copyright © by KTM NA All rights reserved.
Licensed to Elite KTM Online Shopper, Copyright © 2004, 2005, 2006, 2007 B.H. Forbes, All Rights Reserved.

Component Detail

Print Close Window

Year	2001
Model	640 ADVENTURE-R (D)
Part	HEADLIGHT ZKW ADVENTURE 2001

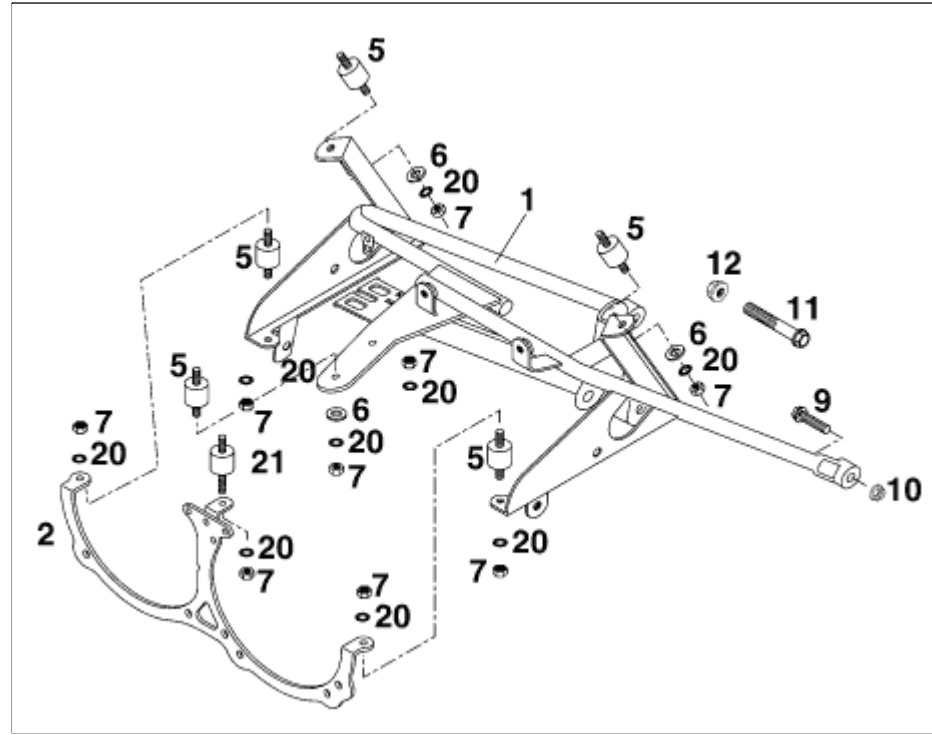
Item	Part #	Description	Retail
0	5841402600030	FLASHER CPL.FRONT R/S REAR L/S	\$19.53
1	58311010000	HEADLIGHT LOW BEAM DUKE'94	\$169.81
2	58311038000	BULB H1 12V 55W WHITE	\$14.87
3	58311044000	SPECIAL NUT M5X25 WS=10	\$5.63
4	0125080003	WASHER DIN0125-A 8,4	\$0.28
5	31008060000	RUBBER SLEEVE D=8MM OPEN	\$1.13
6	0797050003	TOOTH LOCK WASH. DIN6797-J 5,3	\$0.29
7	0933050123	HH SCREW DIN0933-M 5X12	\$0.29
8	58311011000	ADJUSTING SCREW M5X30 CPL.	\$2.95
9	12003007052	SPRING L=16MM	\$1.50
10	54603073000	COLLAR BUSHING 5 X 10 X 6 ALU	\$2.57
18	49011435100	BULB 12V 5W (W2,1X9,5D) PHIL. original partnumber 49011435000 superceded by 49011435100	\$3.66
19	44111015100	BULB 12V 10W (BA15S)	\$9.06
20	58311110000	HEADLIGHT HIGHBEAM DUKE '94	\$82.52
21	58311039000	BULB SOCKET BA9S	\$4.82
22	44111005100	BULB 12V 2W BA9S	\$4.96
23	58302126000	CLUTCH LEVER BOOT '95	\$3.01
24	0125100003	WASHER DIN0125-A10,5	\$0.28
25	5841402500030	FLASHER CPL.FRONT L/S REAR R/S	\$28.92
26	58414030000	HH COLLAR NUT M10X1,25 WS=13	\$0.99
27	0797100003	LOCK WASHER DIN6797-J10,5 ZI	\$0.59
40	58414040100	REAR LIGHT CPL. LC4 2001	\$51.67
42	58414042000	BULB 12V 21/5W (BAY15S)REINFO.	\$8.63
43	41001052000	RUBBER SLEEVE D=12MM	\$2.01
44	58714048000	REAR LIGHT BUSHING	\$4.69
45	0985060003	SELF LOCK. NUT DIN0985-M 6	\$0.28
46	0021060003	WASHER DIN9021-A 6,4	\$0.30
47	58414047000	LICENSE-PLATE ILLUMINATION '98	\$11.50
48	0021050003	WASHER DIN9021-A 5,3	\$0.30
49	0985050003	SELF LOCKING NUT DIN0985-M 5	\$0.58

Licensed to Elite KTM Online Shopper, Copyright © 2004, 2005, 2006, 2007 B.H. Forbes, All Rights Reserved.

Component Detail

Print Close Window

Year	2001
Model	640 ADVENTURE-R (D)
Part	HEADLIGHTBRACKET ADVENTURE 2001



Copyright © by KTM NA All rights reserved.
Licensed to Elite KTM Online Shopper, Copyright © 2004, 2005, 2006, 2007 B.H. Forbes, All Rights Reserved.

Component Detail

Print Close Window

Year	2001
Model	640 ADVENTURE-R (D)
Part	HEADLIGHTBRACKET ADVENTURE 2001

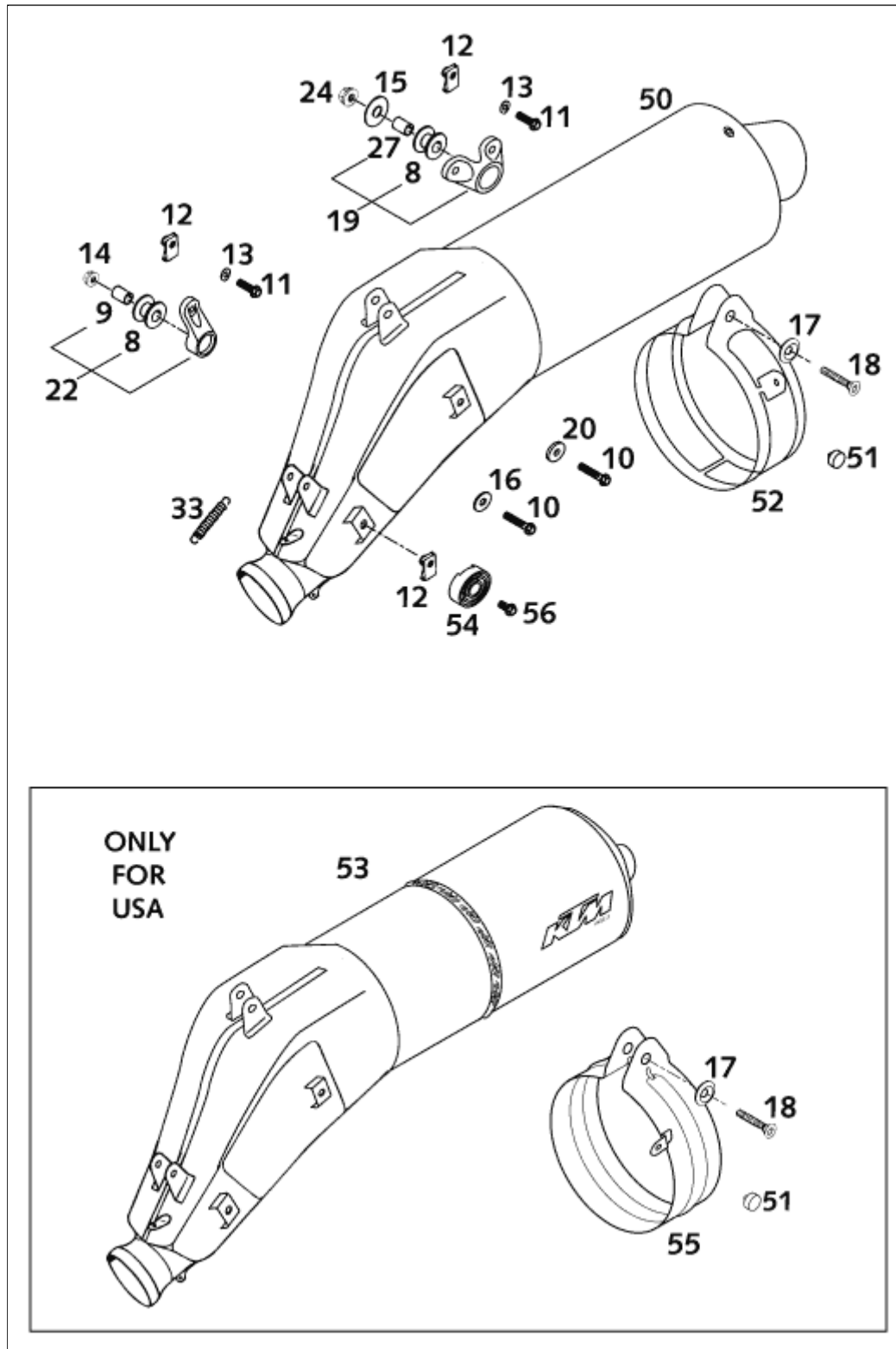
Item	Part #	Description	Retail
1	58214010100	HEAD LIGHT CARRIER TRIOM ADV.	\$119.94
2	58211045000	SUPPORT F. HEAD LIGHT ADV. '97	\$31.43
5	54335031000	RUBBER GROMMET 20X15-M6X10 (2)	\$10.96
6	0125060003	WASHER DIN0125-A 6,4	\$0.28
7	0934060003	HEXAGON NUT DIN0934-M 6	\$0.28
9	0015060253	HH COLLAR SCREW M 6X25 WS=8	\$0.93
10	56509064100	SELF LOCKING NUT M6 10.9	\$1.14
11	0015080503	HH COLLAR SCREW M 8X50 WS=10	\$1.64
12	54310086200	SELF LOCKING NUT M8 10.9	\$1.68
20	0797060003	TOOTH LOCK WASH. DIN6797-A 6,4	\$0.28
21	58214012000	RUBBER GROMM.20/15 M6X16+M6X10	\$7.92

Licensed to Elite KTM Online Shopper, Copyright © 2004, 2005, 2006, 2007 B.H. Forbes, All Rights Reserved.

Component Detail

Print Close Window

Year	2001
Model	640 ADVENTURE-R (D)
Part	MAIN SILENCER 640 ADVENTURE 2001



Copyright © by KTM NA All rights reserved.
Licensed to Elite KTM Online Shopper, Copyright © 2004, 2005, 2006, 2007 B.H. Forbes, All Rights Reserved.

Component Detail

Print Close Window

Year	2001
Model	640 ADVENTURE-R (D)
Part	MAIN SILENCER 640 ADVENTURE 2001

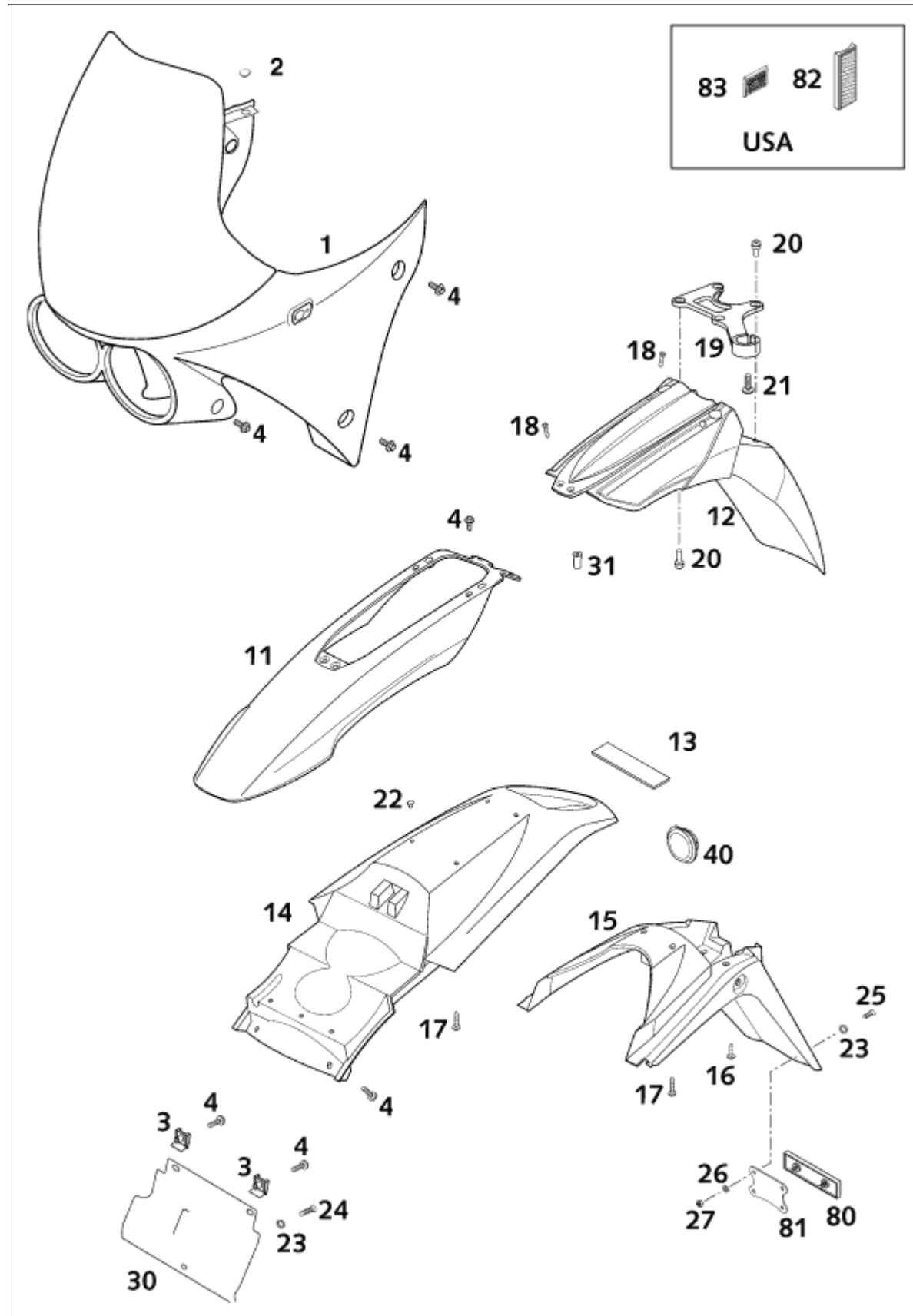
Item	Part #	Description	Retail
8	54305068100	DAMP. COMPONENT SILICONE GREY	\$9.00
9	54305069000	BUSHING 7X12X15,4	\$3.63
10	0015060303	HH COLLAR SCREW M 6X30 SW=8	\$0.93
11	0015060203	HH COLLAR SCREW M 6X20 WS=8	\$1.16
12	54603048100	RANGE CHANGE METAL NUT M6	\$1.96
13	0137060003	SPRING WASHER DIN0137-B 6 original partnumber 0137060000 superceeded by 0137060003	\$0.28
14	56509064100	SELF LOCKING NUT M6 10.9	\$1.14
15	0021080003	WASHER DIN9021-A 8,4	\$0.44
16	0021060003	WASHER DIN9021-A 6,4	\$0.30
17	58303061000	SPECIAL WASHER ALU 8 X 24 MM	\$2.55
18	0991080353	FLAT HEAD SCREW DIN7991-M 8X35	\$2.43
19	58405085044	SILENCER BRACKET CPL. 2001	\$29.80
20	50232050001	STEEL WASHER 6,4X17X3	\$4.35
22	58305165244	SILENCER BRACKET CPL. SHORT'96	\$27.18
24	54310086200	SELF LOCKING NUT M8 10.9	\$1.68
27	56505069000	SPACER BUSHING 8,4X12X16	\$3.78
33	50305016000	TEN.SPRING L=62MM EY.MOVEABLE	\$6.62
50	58405083000	% SILENCER LC4 "HGS4" 20	\$0.00
51	54308042000	RUBBER BUFFER	\$3.15
52	58405161000	RETAIN CLAMP F.HGS-SILENC.2001	\$0.00
54	58405098100	RUBBERBUFFER F. SILENCER 2000	\$12.15
56	0015060123	HH COLLAR SCREW M 6X12 WS=8	\$1.70

Licensed to Elite KTM Online Shopper, Copyright © 2004, 2005, 2006, 2007 B.H. Forbes, All Rights Reserved.

Component Detail

Print Close Window

Year	2001
Model	640 ADVENTURE-R (D)
Part	MUDGUARD, MASK ADVENTURE 2001



Copyright © by KTM NA All rights reserved.

Licensed to Elite KTM Online Shopper, Copyright © 2004, 2005, 2006, 2007 B.H. Forbes, All Rights Reserved.

Component Detail

Print Close Window

Year	2001
Model	640 ADVENTURE-R (D)
Part	MUDGUARD, MASK ADVENTURE 2001

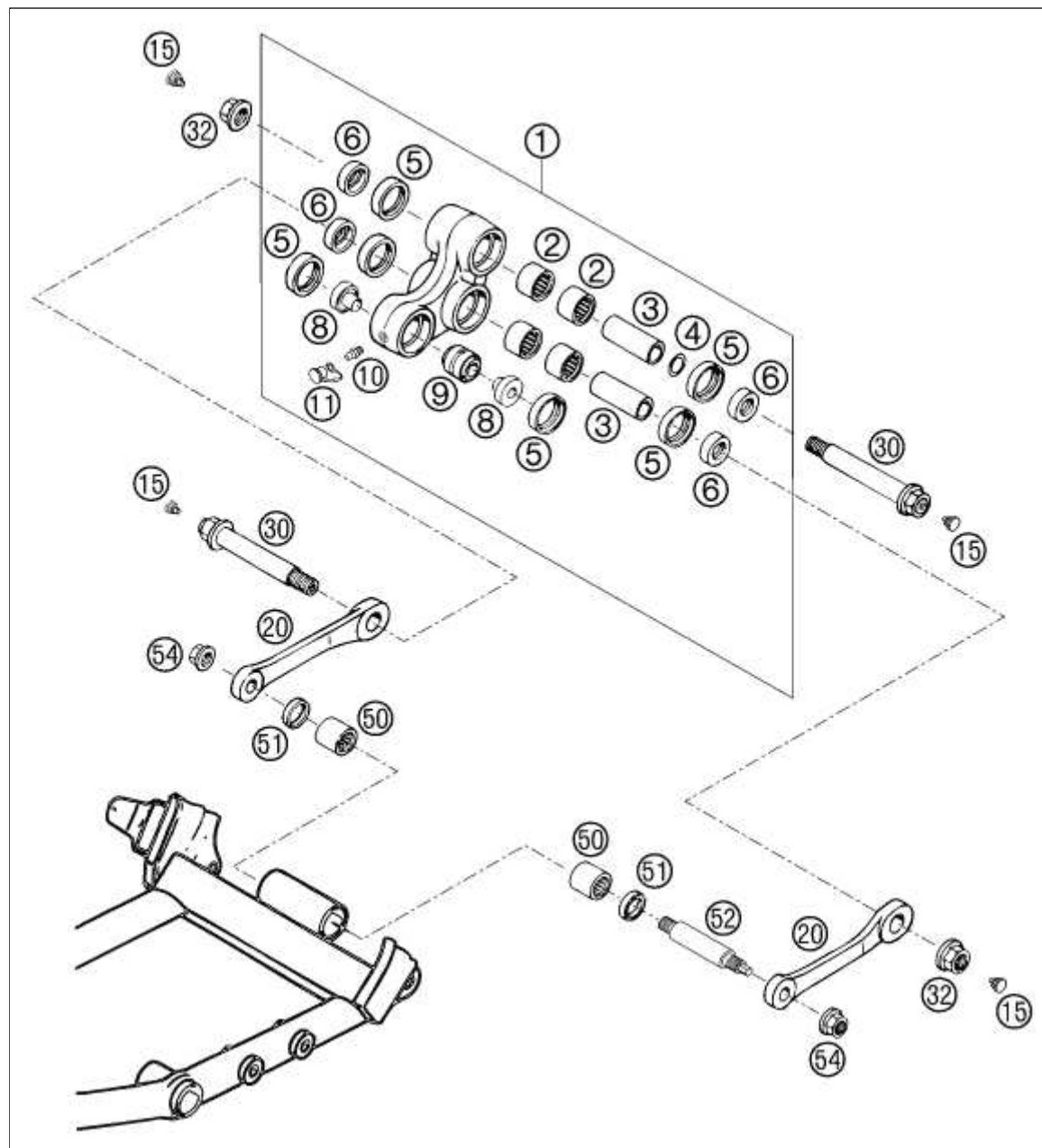
Item	Part #	Description	Retail
1	58211001100	HEAD LIGHT MASK ADVENTURE 01	\$280.65
2	54208042000	RUBBER SLEEVE	\$5.92
3	54603048100	RANGE CHANGE METAL NUT M6	\$1.96
4	0014060153	HH COLLAR SCREW M 6X15 WS=8	\$0.65
11	5840801000090	FRONTFEND.FRONTPART SILVER LC4	\$18.29
12	58408009000	FRONTFEND.REAR PART BLACK LC4	\$70.95
13	54601097000	RUBBER STRIP 85X25X3 MM	\$0.86
14	5840801410004	FENDER REAR ORANGE LC4 01	\$29.20
15	58408015000	NUMB.PLATE CARRIER BLACK LC4	\$46.93
16	0017060203	EJOT PT SCREW K60X20 WS=6	\$0.17
17	0017060303	SPECIAL SCREW T60 6X30 WS=6	\$0.65
18	0017050181	SCREW FOR PLASTIC D=5X18	\$0.66
19	59008019000	BRAKE HOSE GUIDE 2000	\$2.72
20	58408009050	SPACER BUSHING FRONT FENDER	\$1.66
21	0014060203	HH COLLAR SCREW M 6X20 WS=8	\$1.62
22	5840801200004	PLUG REAR FENDER ORANGE 01	\$0.88
23	40006006000	WASHER 6MM	\$0.91
24	0017050181	SCREW FOR PLASTIC D=5X18 original partnumber 0016055163 superceeded by 0017050181	\$0.66
25	0966050163	OVAL HEAD SCREW DIN0966-M 5X16	\$0.59
26	0125050003	WASHER DIN0125-A 5,3	\$0.32
27	0985050003	SELF LOCKING NUT DIN0985-M 5	\$0.58
30	58308013250	FENDER EXTENSION LC4-E '97	\$12.91
31	58408010050	BUSH FOR FENDER BRACKET 2000	\$7.79
40	58414040050	RUBBER FOR FENDER REAR	\$12.69
80	58412080000	REFLECTOR RED LC4 '98	\$5.16
81	58412080050	BRACKET FOR REFLECTOR	\$5.63

Licensed to Elite KTM Online Shopper, Copyright © 2004, 2005, 2006, 2007 B.H. Forbes, All Rights Reserved.

Component Detail

Print Close Window

Year	2001
Model	640 ADVENTURE-R (D)
Part	PRO LEVER LINKING LC4 '99



Copyright © by KTM NA All rights reserved.

Licensed to Elite KTM Online Shopper, Copyright © 2004, 2005, 2006, 2007 B.H. Forbes, All Rights Reserved.

Component Detail

Print Close Window

Year	2001
Model	640 ADVENTURE-R (D)
Part	PRO LEVER LINKING LC4 `99

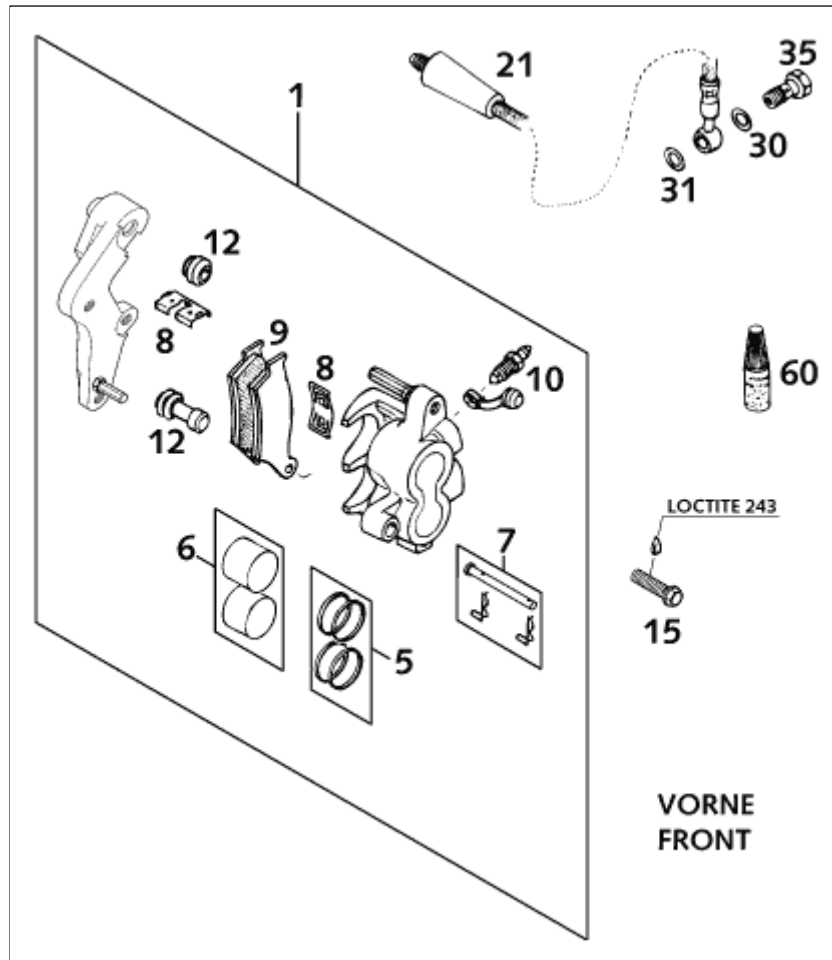
Item	Part #	Description	Retail
0	54603090020	STEEL WASHER 15,2X19X0,2	\$1.71
0	54603090030	STEEL WASHER 15,2X19X0,3	\$0.87
1	58303080244	ROCKER ARM CPL. FORGED LC4 '99	\$189.37
2	54603097000	NEEDLE BUSH HK 2016	\$14.95
3	54603081000	BUSHING SLEEVE 15 X 20 X 48	\$27.38
4	54603090010	STEEL WASHER 15,2X19X0,1	\$2.29
5	0760253270	SHAFT SEAL RING 25X32X7	\$5.80
6	58303090000	SPAC.F.SHAFT SEALRING 15X25X11	\$7.29
8	58303085100	BUSHING FOR BEARING LINK '95	\$6.08
9	54203083050	LINK BEARING 12X25X22(16-1061)	\$60.00
10	72003035000	GREASE FITTING M6 STRAIGHT	\$1.56
11	53003099000	CAP WITH LOOP RED	\$1.28
15	54403135000	PLASTIC CAP SFL10	\$1.98
20	58303083000	LINKAGE ARM L=127MM '93	\$48.15
30	54603182044	BOLT CPL.	\$44.20
32	54603015000	SELF LOCKING NUT M14X1,5 WS=19	\$5.31
50	56503195100	NEEDLE BEARING HK 1816	\$15.35
51	0760182442	SHAFT SEAL RING 18X24X4	\$6.17
52	58303084100	BUSHING BOLT CONNECTING BAR'96	\$24.39
54	49103415000	SELF LOCK. NUT M12X1,75 WS=19	\$2.77

Licensed to Elite KTM Online Shopper, Copyright © 2004, 2005, 2006, 2007 B.H. Forbes, All Rights Reserved.

Component Detail

Print Close Window

Year	2001
Model	640 ADVENTURE-R (D)
Part	REAR BRAKE OPERATING SYSTEM ADVENTURE 2001



Copyright © by KTM NA All rights reserved.
Licensed to Elite KTM Online Shopper, Copyright © 2004, 2005, 2006, 2007 B.H. Forbes, All Rights Reserved.

Component Detail

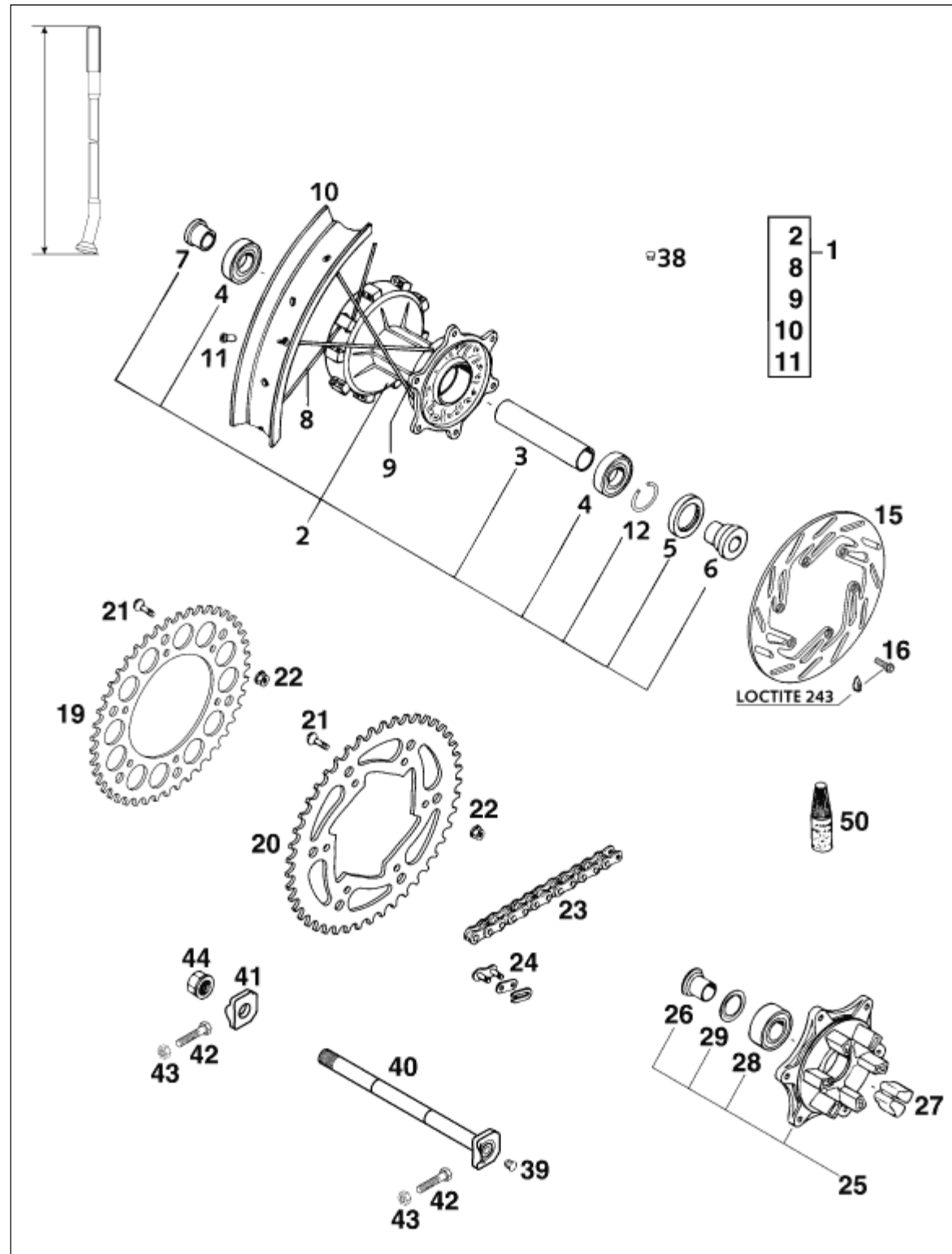
Print Close Window

Year	2001
Model	640 ADVENTURE-R (D)
Part	REAR BRAKE OPERATING SYSTEM ADVENTURE 2001

Item	Part #	Description	Retail
1	0991080353	FLAT HEAD SCREW DIN7991-M 8X35	\$2.43
2	58303061000	SPECIAL WASHER ALU 8 X 24 MM	\$2.55
3	58403070044	FOOT BRAKE LEVER KPL. LC4 2001	\$74.18
4	0625006087	GROOVED BALL BEAR. 608 2RS C3	\$21.03
5	0991060203	FLAT H.SCREW DIN7991-M6X20 8.8	\$2.72
6	58303063000	BRAKE LEVER STOP '93	\$3.62
9	13003062000	RETURN SPRING	\$6.28
11	58303062000	HEIM JOINT M8 W=12MM '93	\$41.27
12	0125080003	WASHER DIN0125-A 8,4	\$0.28
14	0985080003	SELF LOCKING NUT DIN0985-M 8	\$0.93
15	0934080003	HEXAGON NUT DIN0934-M 8	\$0.58
16	58303068100	PUSH ROD ALU L=178MM '93	\$8.71
17	0933080223	HH SCREW DIN0933-M 8X22 8.8	\$1.02
20	54513101044	MAIN BRAKE CYLINDER '89	\$101.38
24	54513150000	REPAIR KIT PISTON 13MM	\$43.91
30	0015060253	HH COLLAR SCREW M 6X25 WS=8	\$0.93
32	50213161000	COLLAR BUSHING	\$1.98
33	54513038000	BRAKE CYL. PROTECTOR "BREMBO"	\$6.61
34	50235033300	SNAP-NUT HOLDER M6 KP142	\$5.92
35	44011076305	CABLE TIE 300/4,8MM BLACK	\$1.17
50	42013226000	CU-SEAL RING DIN7603-10X16X1	\$1.36
51	50311051100	BRAKE LIGHT SWITCH REAR '98	\$20.66
60	54513030044	BRAKE FLUID RESERVOIR '89	\$16.99
63	0014060103	HH COLLAR SCREW M 6X10 WS=8	\$1.61
66	58007017000	YDNAC CLAMP 10101 (9MM)	\$2.01
67	58007016101	HOSE FOR RESERVOIR 6X1,5	\$12.31
80	306054	BRAKE FLUID DOT 4.0	\$13.39

Licensed to Elite KTM Online Shopper, Copyright © 2004, 2005, 2006, 2007 B.H. Forbes, All Rights Reserved.

Year	2001
Model	640 ADVENTURE-R (D)
Part	REAR WHEEL SUSPENDED LC4 2001



Copyright © by KTM NA All rights reserved.
Licensed to Elite KTM Online Shopper, Copyright © 2004, 2005, 2006, 2007 B.H. Forbes, All Rights Reserved.

Component Detail

Print Close Window

Year	2001
Model	640 ADVENTURE-R (D)
Part	REAR WHEEL SUSPENDED LC4 2001

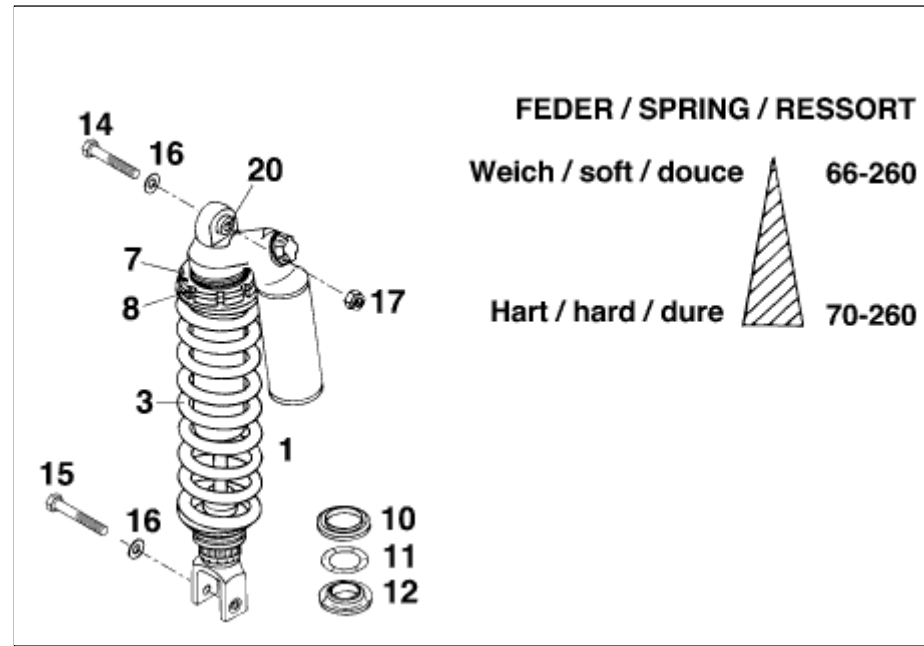
Item	Part #	Description	Retail
1	58410001544	REAR WHEEL CPL. DAMPED 2,5X18" original partnumber 58410001244 superceded by 58410001544	\$509.96
2	5841001034491	REAR WHEEL HUB DAMPED CPL. 06 original partnumber 58410010044 superceded by 5841001034491	\$222.78
3	58410011000	BUSHING SPACER TUBE L=98,3MM	\$14.31
4	0625062052	GR.BALL BEAR. 6205-2RSHC3HMTF7	\$33.95
5	0760325272	SHAFT SEAL RING 32X52X7 B	\$18.12
6	54610016000	BUSHING FOR HUB	\$21.22
7	58410016000	BUSHING FOR HUB	\$14.19
8	54610471000	SPOKE M5X223-10G 18"	\$3.42
9	50310071197	SPOKE M5X197-10G 18" DDE	\$2.03
10	58010470100	REAR RIM 2,50X18" DID	\$183.97
11	58309072100	SPOKE NIPPLE M5-TA 8X21MM original partnumber 58309072000 superceded by 58309072100	\$2.03
12	0472052200	CIRCLIP DIN0472-52X2	\$2.24
15	58010060600	REAR BRAKE DISK 220MM COUNTERS	\$202.61
16	59009062013	SPECIAL SCREW M6X13 WS=8 10.9	\$0.60
19	58310051038	REAR SPROCKET 38-T	\$61.79
19	58310051042	REAR SPROCKET 42-T	\$61.79
19	58310151040	REAR SPROCKET 40-T	\$61.79
19	58310151045	REAR SPROCKET 45-T	\$61.79
20	58310151048	REAR SPROCKET 48-T	\$61.79
20	58310151050	REAR SPROCKET 50-T	\$61.79
20	58310151052	REAR SPROCKET 52-T	\$61.79
21	54510052100	SPROCKET SCREW-AH M8X26 WS=6	\$3.31
22	54310086200	SELF LOCKING NUT M8 10.9	\$1.68
23	50310800118	CHAIN Z-RING 5/8X1/4" REGINA original partnumber 50010065100 superceded by 50310800118	\$106.08
23	50010065101	% X-R.CHAIN 5/8X1/4"/M W.LINK	\$0.00
24	50010066100	MASTER LINK 5/8X1/4" X-RING	\$5.08
25	58310050044	SPROCKET SUPPORT CPL.	\$169.99
26	54610417300	BUSH. F.SPROCKETSUPPORT L=25MM	\$16.65
27	54610459000	DAMPING RUBBER '91	\$4.99
28	0625032057	GR. BALL BEARING 3205B-2RSRTNG	\$100.92
29	54610018000	SEAL WASHER 3205 AV	\$7.50
38	55003135000	PLUG FOR RIM	\$0.28
39	50210086000	COVERING CAP SFL16	\$1.71
40	50210085044	WHEEL SPINDLE REAR CPL.L=264MM	\$94.71
41	56510084100	CHAIN TENSIONER '95	\$13.23
42	50203030090	HH SCREW M8X40 WS=10	\$1.95
43	0934080003	HEXAGON NUT DIN0934-M 8	\$0.58
44	50310099000	HEXAGON NUT M20X1,5 '98	\$6.16
50	6899785	LOCTITE 243 BLUE 6CCM	\$0.00

Licensed to Elite KTM Online Shopper, Copyright © 2004, 2005, 2006, 2007 B.H. Forbes, All Rights Reserved.

Component Detail

Print Close Window

Year	2001
Model	640 ADVENTURE-R (D)
Part	SHOCK ABSORBER WP ADVENTURE 2001



Copyright © by KTM NA All rights reserved.
Licensed to Elite KTM Online Shopper, Copyright © 2004, 2005, 2006, 2007 B.H. Forbes, All Rights Reserved.

Component Detail

Print Close Window

Year	2001
Model	640 ADVENTURE-R (D)
Part	SHOCK ABSORBER WP ADVENTURE 2001

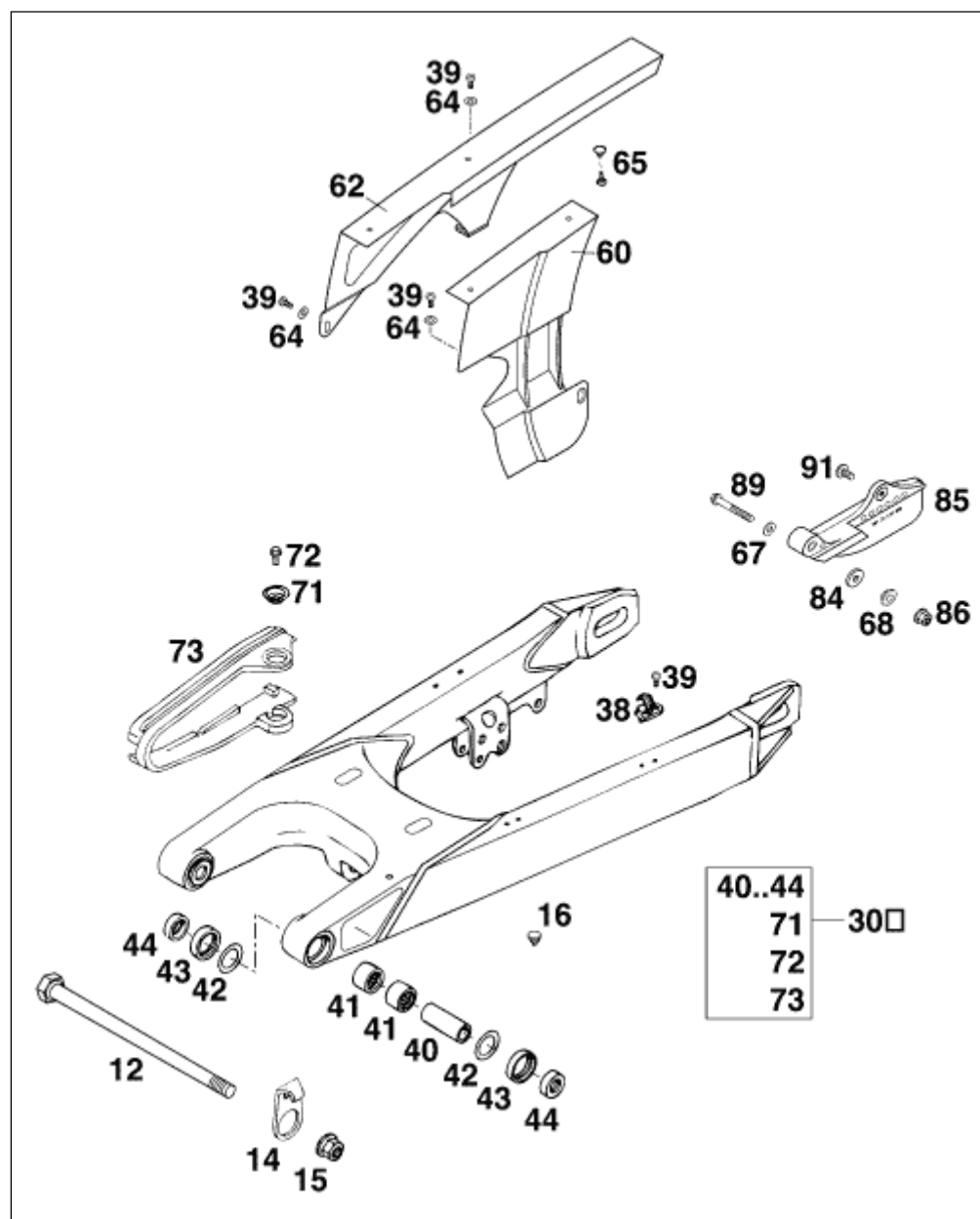
Item	Part #	Description	Retail
1	0118V710	MONOSHOCK WP LC4 2001	\$0.00
3	58304011066	% SPRING WP 66-260	\$0.00
3	58304011070	% SPRING WP 70-260	\$0.00
7	54204109000	* COUNTER NUT	\$55.21
8	54204009000	ADJUSTING NUT	\$89.60
10	58304017000	RING FOR SHOCK ABSORBER	\$44.72
11	58304090000	O-RING 32 X 8	\$7.92
12	46811561	BUSHING RING D=55X19 original partnumber 58304018000 superceded by 46811561	\$26.67
14	56503086000	SPECIAL SCREW M10X47 WS=17	\$3.48
15	56503093000	SPECIAL SCREW M10X55 WS=17	\$3.19
16	0125100003	WASHER DIN0125-A10,5	\$0.28
17	54310086100	SELF LOCKING NUT M10 CU WS=14	\$1.33
20	46811078S	ADAPTOR BUSH CPL. KGW 10X24 original partnumber 54204020100 superceded by 46811078S	\$94.98

Licensed to Elite KTM Online Shopper, Copyright © 2004, 2005, 2006, 2007 B.H. Forbes, All Rights Reserved.

Component Detail

Print Close Window

Year	2001
Model	640 ADVENTURE-R (D)
Part	SWING ARM 640 ADVENTURE 2001



Copyright © by KTM NA All rights reserved.
Licensed to Elite KTM Online Shopper, Copyright © 2004, 2005, 2006, 2007 B.H. Forbes, All Rights Reserved.

Component Detail

Print Close Window

Year	2001
Model	640 ADVENTURE-R (D)
Part	SWING ARM 640 ADVENTURE 2001

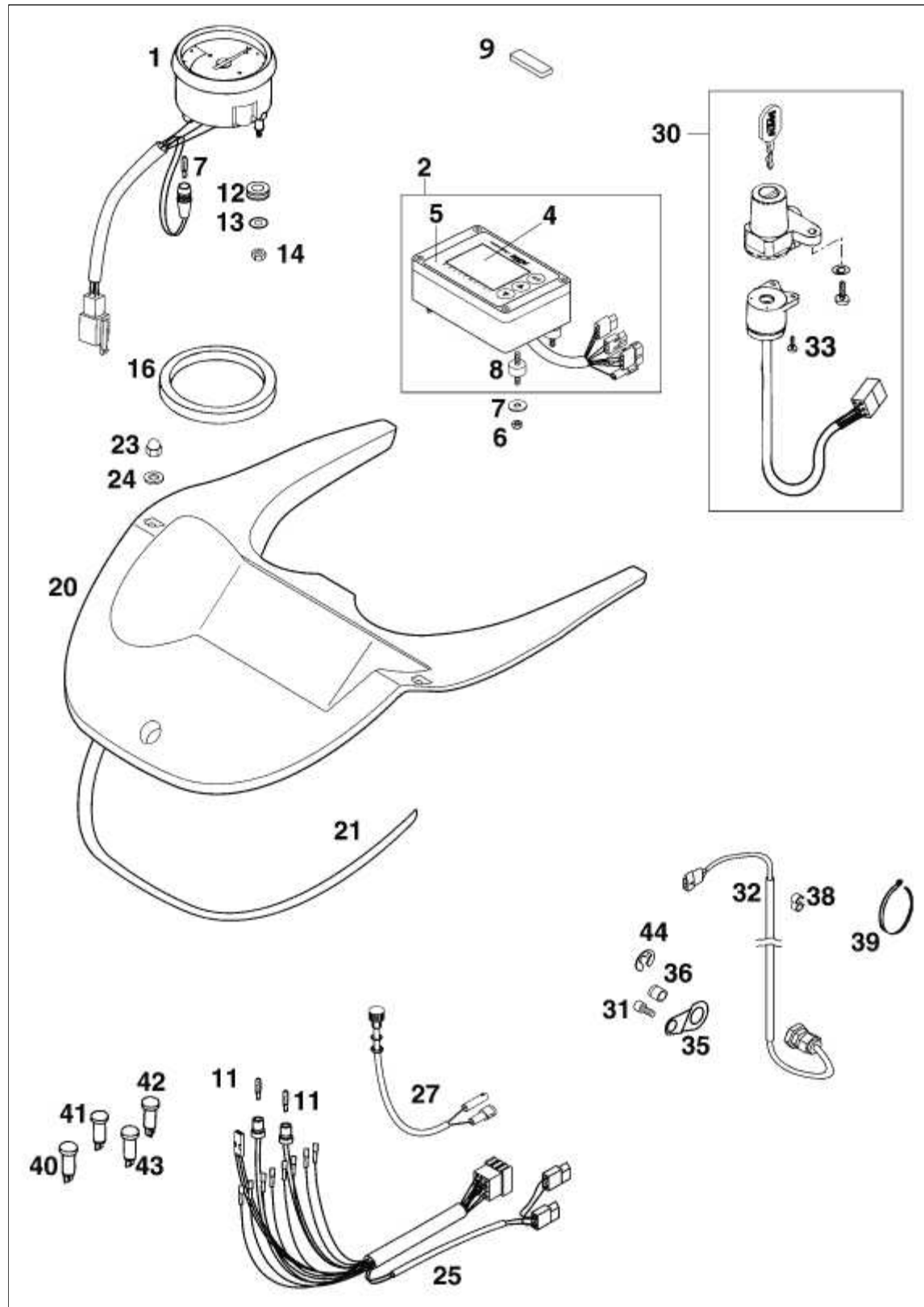
Item	Part #	Description	Retail
12	54603014100	SWINGARM BOLT KPL. L=253 original partnumber 54603014000 superceeded by 54603014100	\$33.96
14	50230211000	BRAKE HOSE GUIDE '89	\$4.47
15	54603015000	SELF LOCKING NUT M14X1,5 WS=19	\$5.31
16	54403135000	PLASTIC CAP SFL10	\$1.98
30	58404030344	SWINGARM CPL. LC4 03 original partnumber 58404030044 superceeded by 58404030344	\$582.18
38	54611076100	RETAIN.CLAMP FOR BRAKE HOSE'96	\$1.04
39	0010050103	SPECIAL SCREW M 5,0X10	\$0.94
40	50203081700	BUSHING SLEEVE 15X20X38,75	\$18.98
41	59004031000	NEEDLE BUSH HK2012V	\$7.29
42	54603036000	STOP DISK 22,2X31,7X1 original partnumber 59004033000 superceeded by 54603036000	\$1.68
43	0760253270	SHAFT SEAL RING 25X32X7	\$5.80
44	54603090000	BUCKET F.SHAFTSEALRING 15X25X9	\$12.75
60	58307060000	CHAINGUARD SMALL '96	\$21.75
62	58307060150	CHAINGUARD LARGE '97	\$21.75
64	0125050003	WASHER DIN0125-A 5,3	\$0.32
65	20012062055	HOLLOW RIVET TWO PARTS	\$1.06
67	0125060003	WASHER DIN0125-A 6,4	\$0.28
68	58404060050	WASHER CHAINGUARD 6,5X10X16X6	\$2.09
71	72210079000	BUCKET	\$2.31
72	0015060103	HH COLLAR SCREW M 6X10 WS=8	\$1.29
73	58307073000	CHAIN SLIDING GUARD DUKE'94	\$24.17
84	50232050001	STEEL WASHER 6,4X17X3	\$4.35
85	58404070000	CHAIN GUIDE CPL. REAR LC4 '98	\$25.85
86	56509064100	SELF LOCKING NUT M6 10.9	\$1.14
89	0015060503	HH COLLAR SCREW M 6X50 WS=8	\$1.35
91	0014060103	HH COLLAR SCREW M 6X10 WS=8	\$1.61

Licensed to Elite KTM Online Shopper, Copyright © 2004, 2005, 2006, 2007 B.H. Forbes, All Rights Reserved.

Component Detail

Print Close Window

Year	2001
Model	640 ADVENTURE-R (D)
Part	TRIPMASTER, TACHOMETER ADVENTURE 2001



Copyright © by KTM NA All rights reserved.
Licensed to Elite KTM Online Shopper, Copyright © 2004, 2005, 2006, 2007 B.H. Forbes, All Rights Reserved.

Component Detail

Print Close Window

Year	2001
Model	640 ADVENTURE-R (D)
Part	TRIPMASTER,TACHOMETER ADVENTURE 2001

Item	Part #	Description	Retail
0	44011076200	CABLE TIE 200/3,6MM BLACK	\$0.69
1	58714075000	TACHOMETER DUKE '99	\$142.91
2	58212085000	TRIPMASTER IMO-100R CPL. '97	\$648.43
4	58212085050	DISPLAY LENS FOR TRIPM.ADV.'97	\$21.05
5	58212085051	KEYBOARD FOIL F.TRIPM. ADV.'97	\$38.40
6	0985040003	SELF LOCKING NUT DIN0985-M 4	\$0.15
7	0021040003	WASHER DIN9021-A 4,3	\$0.30
8	58212085052	RUBBER GROMMET 15X8-M4X10 (2)	\$13.43
9	58211001063	FOAM 4X9MM PER METER	\$2.55
11	49111425000	BULB 12V 1,2W (W2X4,6D)	\$3.82
12	31008008000	RUBBER GROMMIT BLACK	\$0.71
13	0134070003	WASHER DIN0134- 7,4	\$1.23
14	0934050003	HEXAGON NUT DIN0934-M 5	\$0.65
16	58214067000	VIEW PROTECTION TACHOM. ADV.02 original partnumber 58311054000 superceeded by 58214067000	\$6.46
20	58214070100	COCKPIT COVER ADVENTURE '01	\$49.67
21	58214070150	BORDER PROTEC. ADVENTURE 2002	\$115.20
23	0587060001	HH CAP NUT DIN1587-M 6 BLACK	\$1.95
24	56032005100	WASHER 6X17X1,5 BLACK	\$1.09
25	58211078100	WIRING HAR. F. CONTROLS ADV.01	\$33.26
27	58212083000	CONTRAST POTENTIOMETER ADV.'97	\$77.97
30	58411066000	IGNITION LOCK W.LIGHTSWITCH 98	\$111.05
31	0912080103	AH SCREW DIN912 M8X10	\$1.45
32	58212084000	SENSOR CABLE CPL. ADVENTURE'97	\$102.62
33	0985040123	FLAT HEAD SCREW DIN7985-M 4X12	\$0.51
35	58214050151	BRACKET F.SENSOR ADVENTURE 01	\$6.98
36	58214069050	SENSOR MAGNET ADVENTURE 01	\$14.31
38	55011022000	CLAMP D=6/8MM, BLACK	\$0.64
39	44011076100	CABLE TIE 100/2,5MM BLACK	\$0.00
40	58011021300	H.BEAM INDICATOR LIGHT BLUE'98	\$5.32
41	58011023300	NEUTRAL INDIC. LIGHT GREEN '98	\$5.35
42	58011022400	TEMPERATURE WARN. LIGHT RED'98	\$5.35
43	58011024300	FLASHER INDICAT.LIGHT GREEN'98	\$5.32
44	0799070000	TAB WASHER DIN6799-RS 7,0	\$0.22

Licensed to Elite KTM Online Shopper, Copyright © 2004, 2005, 2006, 2007 B.H. Forbes, All Rights Reserved.

Component Detail

Print Close Window

Year	2001
Model	640 ADVENTURE-R (D)
Part	WIRING HARNESS 640 ADVENTURE 2001

Item	Part #	Description	Retail
0	44011076100	CABLE TIE 100/2,5MM BLACK	\$0.00
0	44011076200	CABLE TIE 200/3,6MM BLACK	\$0.69
1	58211075300	MAIN WIRING HARNESS ADV. 01	\$104.64
2	58411176200	WIRING HARNESS REAR LC4 2001	\$21.39
3	58411049000	CLUTCH SWITCH '96	\$26.70
5	58211083000	BRACKET FOR PLUGS ADVENTURE'97	\$26.02
6	58411057000	STARTER RELAY '96	\$18.99
7	58411096100	DIODE S3H-15 97	\$10.73
8	58312085100	EDGE PROTECTOR PER METER	\$16.72
10	50311051100	BRAKE LIGHT SWITCH REAR '98	\$20.66
12	44611207200	FLASHER UNIT 97	\$54.87
13	58211078100	WIRING HAR. F. CONTROLS ADV.01	\$33.26
14	58011109110	FUSE 10 A 2000	\$0.80
16	0014060103	HH COLLAR SCREW M 6X10 WS=8	\$1.61
17	0125060003	WASHER DIN0125-A 6,4	\$0.28
18	44111425000	* LAMP 12V 1,2W (W2X4,6D)	\$0.00
20	58211070000	LIGHT SWITCH CPL. CEV ADV.'97	\$132.96
21	51011050000	FRONT BRAKE LIGHT SWITCH	\$18.96
22	0014060103	HH COLLAR SCREW M 6X10 WS=8	\$1.61
23	58431065100	MICRO SWITCH LC4 '98	\$51.53
24	58411085000	WIRING HARN. EPC F. ENGINE LC4	\$8.17
26	56509064100	SELF LOCKING NUT M6 10.9	\$1.14
27	0015060103	HH COLLAR SCREW M 6X10 WS=8	\$1.29
30	58411053000	BATTERY 12V 8AH '96	\$104.56
31	58411053050	BATTERY COVER 96	\$27.12
32	58411059250	BATTERY CABLE 190MM 20A '98	\$24.50
33	58411059100	STARTERCABLE 700 MM '97	\$19.23
35	58411055100	BATTERY BRACKET LC4-E/DUKE'97	\$21.64
36	58411034100	VOLT.REGULATOR-RECTIFIER 12V	\$95.61
37	58011109120	FUSE 20 A original partnumber 58011109020 superceeded by 58011109120	\$0.80
38	58411055150	METAMOLL FOR BATTERY BRACKET	\$4.82
46	50311060000	DC HORN 12V K80/L LEB original partnumber 54511060100 superceeded by 50311060000	\$26.86
49	0014060153	HH COLLAR SCREW M 6X15 WS=8	\$0.65
50	58411058000	STARTER RELAY WITH HOLD.RUBBER	\$43.87
51	58411058050	HOLD. RUBBER FOR STARTRELAY	\$15.26
52	0985060003	SELF LOCK. NUT DIN0985-M 6	\$0.28
53	58411097100	GROUND CABLE D=6MM L=140MM '97	\$6.46
54	58411098100	CONTACT WASHER M6 VSV-K6	\$0.59
55	58411097200	GROUND CABLE D=8MM L=140MM '97	\$7.07
56	58411098000	CONTACT WASHER M8 VSV-K8	\$1.15
57	54511048000	CAPACITOR BRACKET	\$4.33
58	49111435100	CONDENSATOR 25V, 10.000 MF	\$64.46
59	54611448000	BRACKET FOR CAPACITOR	\$8.18
60	44011076305	CABLE TIE 300/4,8MM BLACK	\$1.17

Licensed to Elite KTM Online Shopper, Copyright © 2004, 2005, 2006, 2007 B.H. Forbes, All Rights Reserved.