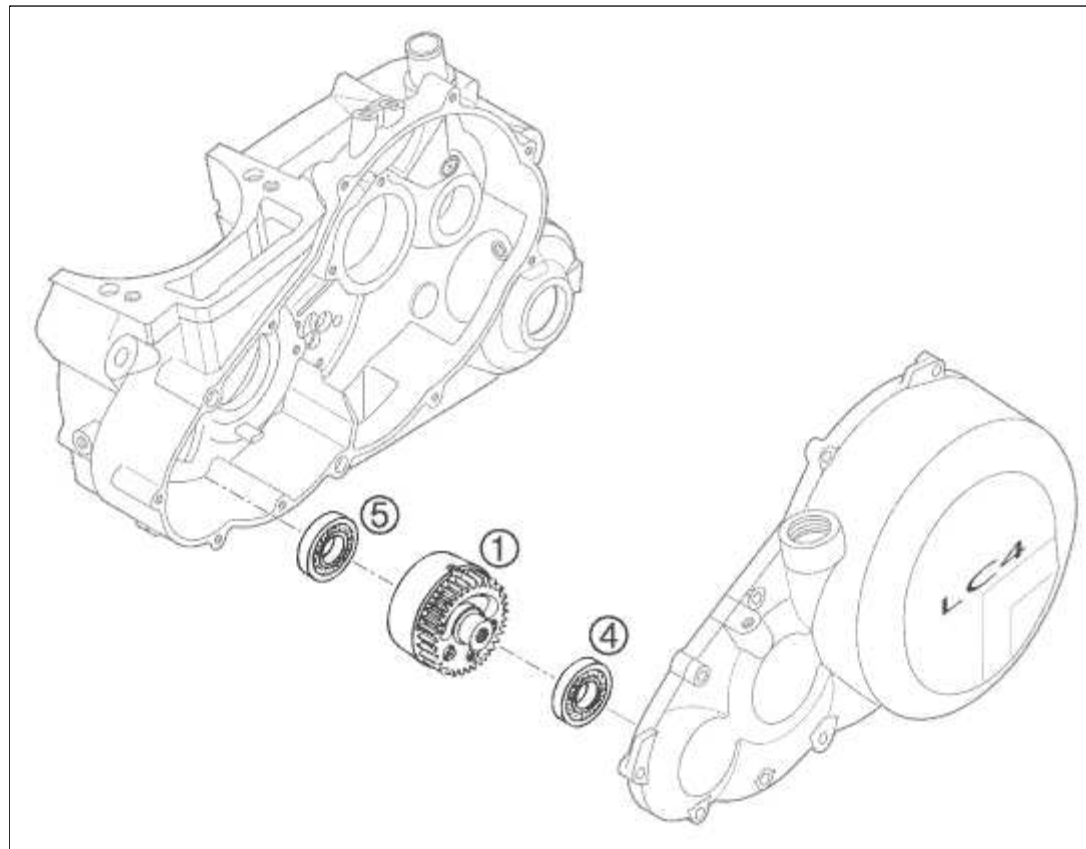


Component Detail

Print Close Window

Year	2001
Model	640 ADVENTURE-R (D)
Part	BALANCER SHAFT LC4 '95



Copyright © by KTM NA All rights reserved.

Licensed to Elite KTM Online Shopper, Copyright © 2004, 2005, 2006, 2007 B.H. Forbes, All Rights Reserved.

Component Detail

Print Close Window

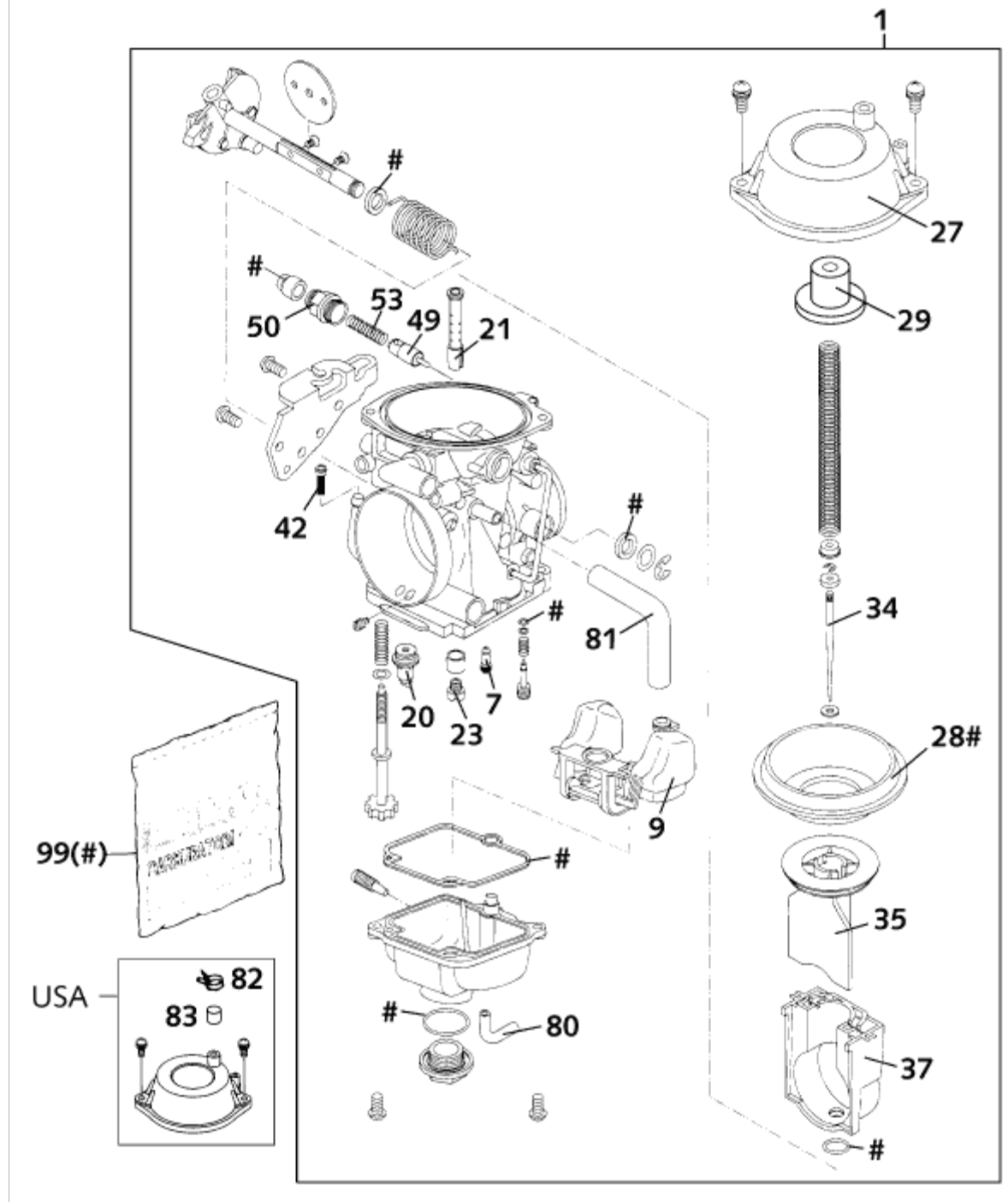
Year	2001
Model	640 ADVENTURE-R (D)
Part	BALANCER SHAFT LC4 '95

Item	Part #	Description	Retail
1	58330055144	BALANCER SHAFT CPL. LC4'95	\$174.99
4	0625160040	GROOVED BALL BEAR. TM 16004 C3	\$23.23
5	0625160030	GROOVED BALL BEARING 16003 C3	\$21.95

Licensed to Elite KTM Online Shopper, Copyright © 2004, 2005, 2006, 2007 B.H. Forbes, All Rights Reserved.

Year	2001
Model	640 ADVENTURE-R (D)
Part	CARBURETOR MIKUNI BST40 LC4 2001

ACHTUNG !!!
 Vor dem Einbau des Vergasers, Bedüsung kontrollieren.
CAUTION !!!
 Before mounting the carburetor, check the jetting.



Copyright © by KTM NA All rights reserved.
 Licensed to Elite KTM Online Shopper, Copyright © 2004, 2005, 2006, 2007 B.H. Forbes, All Rights Reserved.

Component Detail

Print Close Window

Year	2001
Model	640 ADVENTURE-R (D)
Part	CARBURETOR MIKUNI BST40 LC4 2001

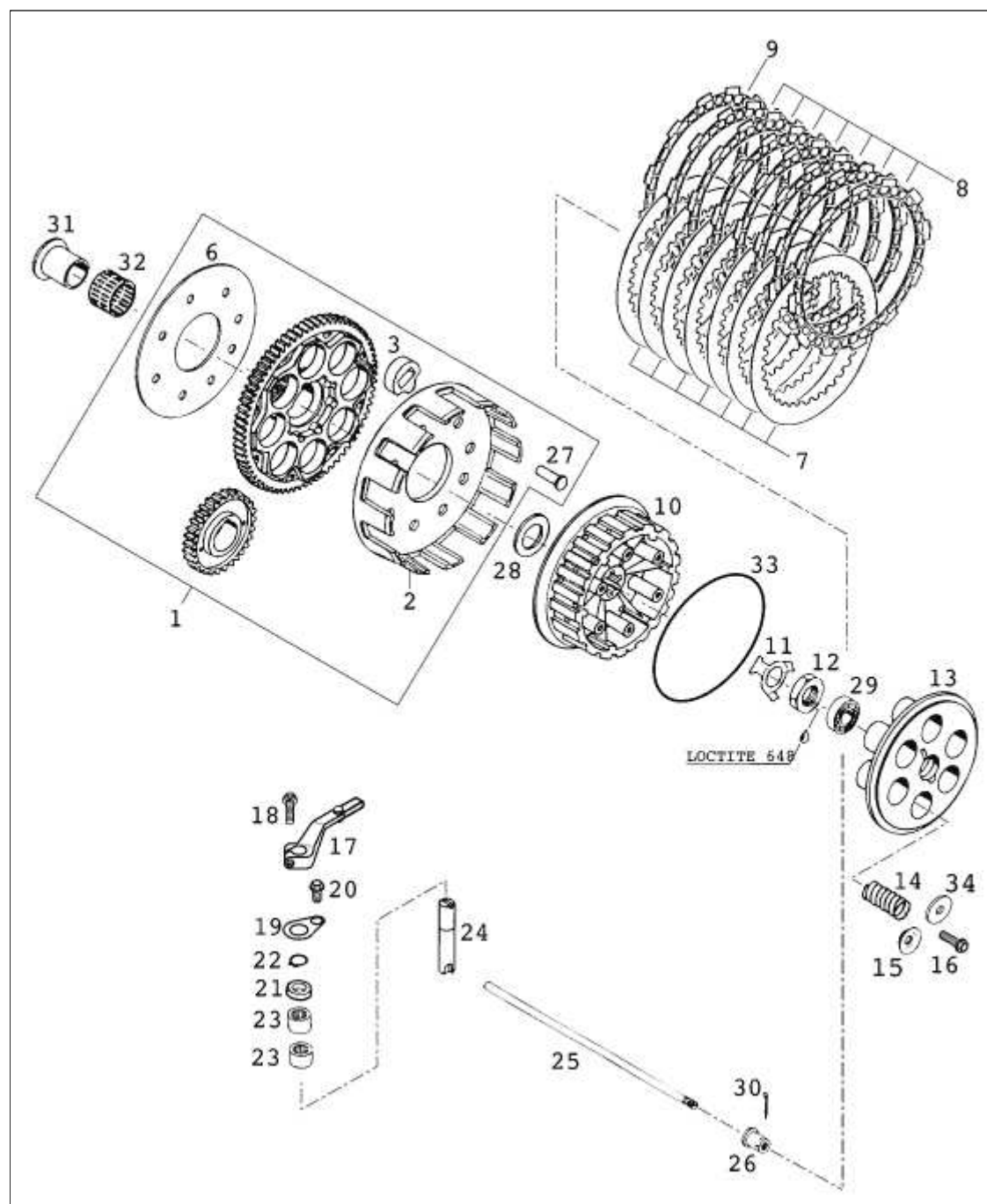
Item	Part #	Description	Retail
1	58431001400	CARBURETOR MIKUNI BST40-225'98	\$507.42
7	58431007045	IDLING JET 45	\$6.07
9	58431009000	FLOAT 6,1 GRAMM MIKUNI	\$36.81
20	58431020000	NEEDLE VALVE 2,8MM	\$43.95
21	58431021689	NEEDLE JET 689 X-6	\$19.57
23	58431023140	MAIN JET 140	\$6.13
23	58431023142	MAIN JET 142,5	\$6.13
23	58431023145	MAIN JET 145	\$6.16
23	58431023147	MAIN JET 147,5	\$6.16
23	58431023150	MAIN JET 150	\$6.16
23	58431023152	MAIN JET 152,5	\$6.16
23	58431023155	MAIN JET 155	\$7.26
23	58431023157	MAIN JET 157,5	\$7.26
23	58431023160	MAIN JET 160	\$6.16
27	58431027000	DIAPHRAGM COVER MIKUNI	\$41.41
28	58431028000	DIAPHRAGM FOR THROTTLE VALVE	\$37.18
29	58331029017	SLIDE STOP L=17MM MIKUNI	\$1.78
34	584310346G5	JET NEEDLE 6G5	\$10.33
35	58431035000	THROTTLE VALVE "1"	\$43.19
37	58431037000	THROTTLE VALVE GUIDE PLASTIC	\$41.17
42	58431042000	FUEL SCREEN MIKUNI	\$7.14
49	58431049000	STARTING PISTON MIKUNI	\$7.26
50	58431050000	SCREW M12 STARTSYSTEMN	\$7.38
53	58431053000	SPRING 22,5MM FOR START.PISTON	\$6.13
80	52031137001	PVC-HOSE 3X5MM	\$3.50
81	54435024001	HOSE ID 7,5 PER METER	\$26.42
82	58031005000	CLAMP YDNAC 10128 12MM	\$2.55
83	57931001010	PLUG CAP FOR EPC CONNECTION	\$0.78
99	58431099000	GASKET SET MIKUNI BST40-225	\$60.25

Licensed to Elite KTM Online Shopper, Copyright © 2004, 2005, 2006, 2007 B.H. Forbes, All Rights Reserved.

Component Detail

Print Close Window

Year	2001
Model	640 ADVENTURE-R (D)
Part	CLUTCH STARTER ENGINE 2001



Copyright © by KTM NA All rights reserved.
Licensed to Elite KTM Online Shopper, Copyright © 2004, 2005, 2006, 2007 B.H. Forbes, All Rights Reserved.

Component Detail

Print Close Window

Year	2001
Model	640 ADVENTURE-R (D)
Part	CLUTCH STARTER ENGINE 2001

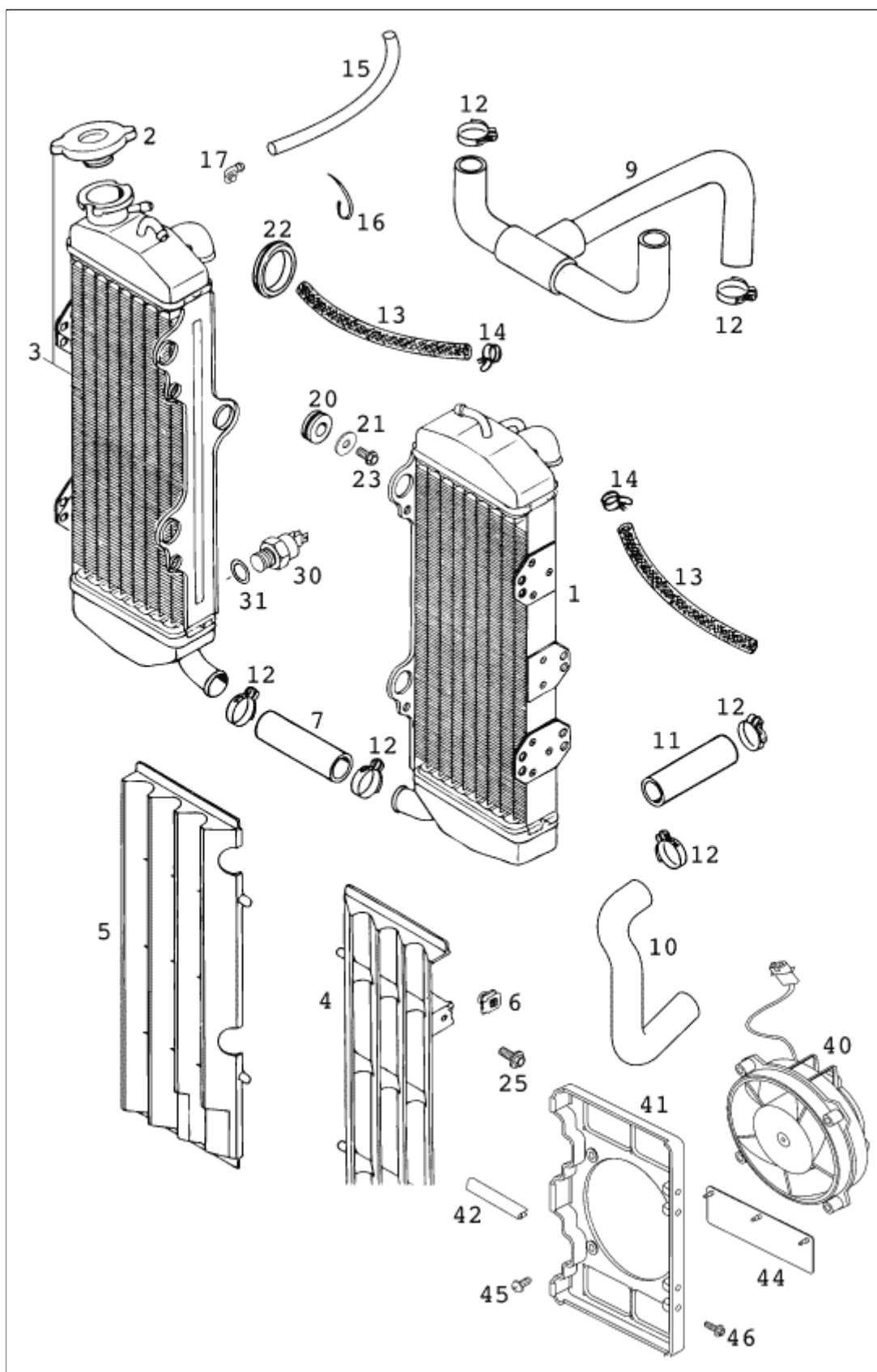
Item	Part #	Description	Retail
1	57932001044	OUT CLUTCH HUB & WH. 81ZMIL 03 original partnumber 58332001081 superceded by 57932001044	\$307.83
2	58432001000	OUTER CLUTCH HUB LOOSE LC4 03 original partnumber 58332001000 superceded by 58432001000	\$118.58
3	58332026000	DAMPING ELEMENT '94	\$3.71
6	58332028000	BRACKET 57 x 132 x 1,5 '94	\$6.34
7	58332112000	STEEL DISK 1,5 MM LC4'94	\$11.74
8	58332011300	LINING DISK 2,7MM FCC 02 original partnumber 58332011200 superceded by 58332011300	\$26.07
9	58332111300	LINING DISK TURN OUT FCC 02 original partnumber 58332111200 superceded by 58332111300	\$32.62
10	58332002300	INNER CLUTCH HUB LC4/LC4-E 04 original partnumber 58332002200 superceded by 58332002300	\$93.19
11	58332018000	LOCK WASHER '94	\$4.05
12	0936181505	HEXAGON NUT DIN0936-M18X1,5 R.	\$6.84
13	58332003200	PRESSURE CAP LC4/LC4-E '98	\$68.54
14	58332080000	CLUTCH SPRING 2,8 X 37	\$4.19
15	58132081000	SPRING RETAINER 6,2 X 20 X 3,2	\$1.97
16	0015060203	HH COLLAR SCREW M 6X20 WS=8	\$1.16
17	58432048044	CLUTCH RELEASE LEVER LC4-E '96	\$17.14
18	0015060203	HH COLLAR SCREW M 6X20 WS=8	\$1.16
19	58432044000	RETAIN.PLATE CLU.RELEASE LEVER	\$9.08
20	0015060123	HH COLLAR SCREW M 6X12 WS=8	\$1.70
21	54532093000	NUT RING NIS 12X20X5,5	\$2.83
22	0471120010	CIRCLIP DIN0471-12X1	\$0.94
23	50332095000	NEEDLE BEARING HK 1212	\$7.76
24	57532015000	DISENGAGING SHAFT 12 X 66 '93	\$28.18
25	58332017000	PUSH ROD 224 MM LC4'94	\$4.17
26	58332032000	PRESSURE BOLT LC4'94	\$17.69
27	58332007000	RIVET 6 X 23 X 11,2	\$2.14
28	57532013000	SUPPORTWASHER 22,2X35X3 HARDE.	\$15.48
29	0625060016	GROOV.BALL BEAR. 6001.2RSR C3	\$18.76
30	0094020163	PIN DIN0094-2,0X16	\$1.45
31	50332070000	INNER RING WITH COLLAR	\$51.71
32	56532095000	NEEDLE BEARING K26X30X22ZW.KSE	\$23.63
33	0770116030	O-RING 116,00X3,00 HNBR 70	\$6.13
34	58432081000	WASHER 6,5 X 20 X 2	\$2.34

Licensed to Elite KTM Online Shopper, Copyright © 2004, 2005, 2006, 2007 B.H. Forbes, All Rights Reserved.

Component Detail

Print Close Window

Year	2001
Model	640 ADVENTURE-R (D)
Part	COOLING SYSTEM EGS-E 400/640 2000



Copyright © by KTM NA All rights reserved.
Licensed to Elite KTM Online Shopper, Copyright © 2004, 2005, 2006, 2007 B.H. Forbes, All Rights Reserved.

Component Detail

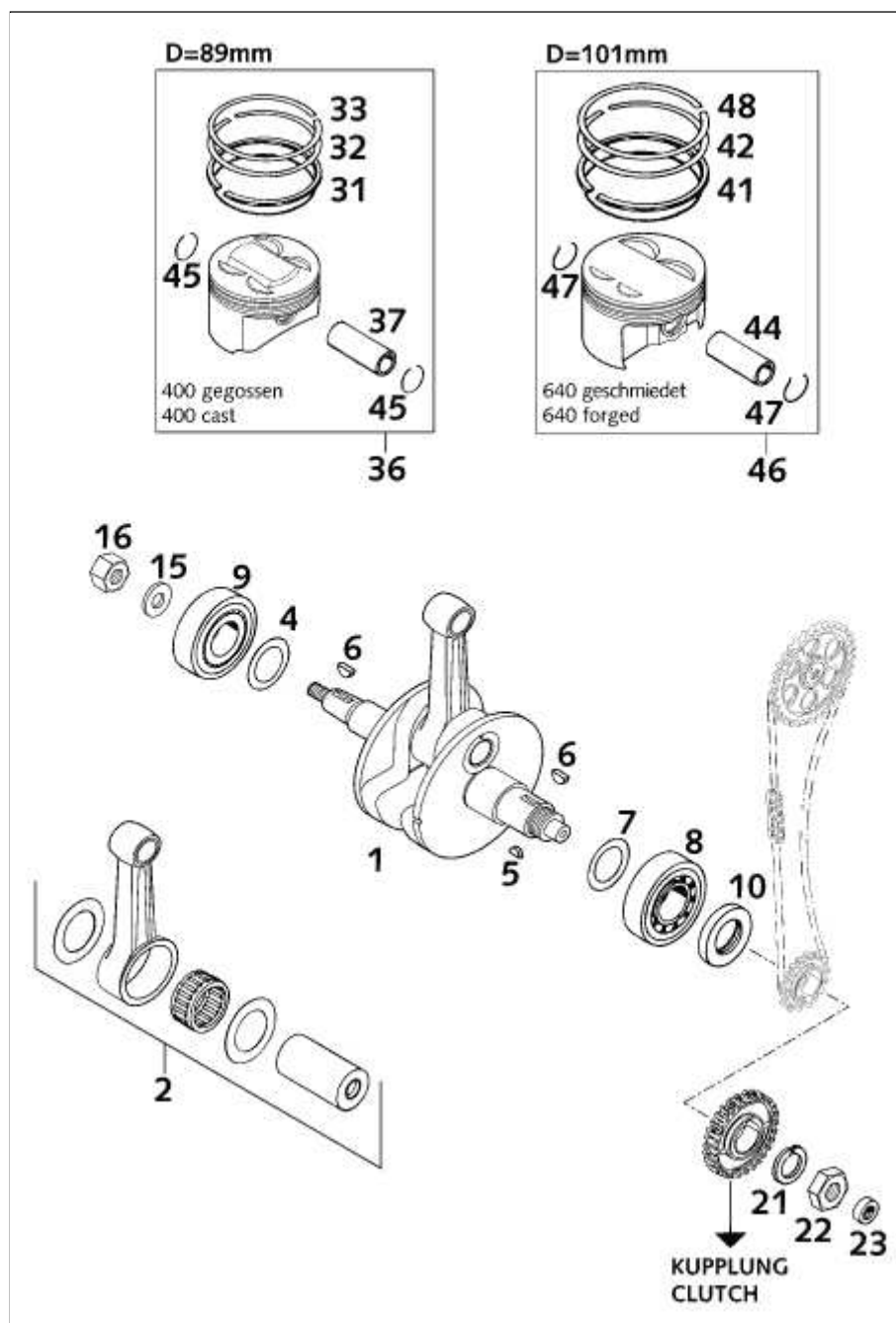
Print Close Window

Year	2001
Model	640 ADVENTURE-R (D)
Part	COOLING SYSTEM EGS-E 400/640 2000

Item	Part #	Description	Retail
1	58335008000	RADIATOR L/S (45246) LC4'94	\$194.00
2	58035016000	RADIATOR CAP SMALL 20,3 PSI	\$25.23
3	57935008000	RADIATOR R/S (45335) LC4 '99	\$346.31
4	58035034000	RADIATOR PROTECTOR L/S BLACK	\$15.70
4	58035034100	RADIATOR PROTECT. L/S WHITE'96	\$19.04
5	58035134000	RADIATOR PROTECTOR R/S BLACK	\$15.58
5	58035134100	RADIATOR PROTECT. R/S WHITE'96	\$14.27
6	50235033300	SNAP-NUT HOLDER M6 KP142	\$5.92
7	56535025001	RADIATOR HOSE 18X25 PER METRE	\$46.23
9	58335026000	PREFORMED HOSE LC4'94	\$50.02
10	58435025800	PREFORMED HOSE original partnumber 58435025700 superceeded by 58435025800	\$11.63
11	58335024001	RADIATOR HOSE 20X26	\$28.16
12	10001020000	HOSE CLAMP GEMI 16-27	\$5.14
13	54435024001	HOSE ID 7,5 PER METER	\$26.42
14	50231005000	HOSE CLAMP YDNAC 10119 11MM	\$1.83
15	55007016001	PVC-HOSE 7X10 PER METER	\$6.56
16	44011076200	CABLE TIE 200/3,6MM BLACK	\$0.69
17	50303089000	ANGEL PIECE '97	\$1.06
20	41001052000	RUBBER SLEEVE D=12MM	\$2.01
21	0021060003	WASHER DIN9021-A 6,4	\$0.30
22	54635022000	SLEEVE FOR STEERING HEAD	\$1.74
23	0015060123	HH COLLAR SCREW M 6X12 WS=8	\$1.70
25	0014060153	HH COLLAR SCREW M 6X15 WS=8	\$0.65
30	58035045000	THERMOSWITCH 80-85 DG '94	\$39.76
31	0603142015	ALU SEALRING DIN7603-14X20X1,5	\$1.30
40	58435041000	FAN CPL. 12V LC4 2000	\$97.21
41	58435044000	FAN CAP LC4 2000	\$17.16
42	58312085100	EDGE PROTECTOR PER METER	\$16.72
44	62635044050	FAN CLACK RUBBER 08 original partnumber 58435044050 superceeded by 62635044050	\$7.02
45	0081500181	SCREW FOR PLASTIC D=5X18	\$0.92
46	0017060203	EJOT PT SCREW K60X20 WS=6	\$0.17

Licensed to Elite KTM Online Shopper, Copyright © 2004, 2005, 2006, 2007 B.H. Forbes, All Rights Reserved.

Year	2001
Model	640 ADVENTURE-R (D)
Part	CRANKSHAFT, PISTON 400/640 LC4-E 2001



Copyright © by KTM NA All rights reserved.
Licensed to Elite KTM Online Shopper, Copyright © 2004, 2005, 2006, 2007 B.H. Forbes, All Rights Reserved.

Component Detail

Print Close Window

Year	2001
Model	640 ADVENTURE-R (D)
Part	CRANKSHAFT, PISTON 400/640 LC4-E 2001

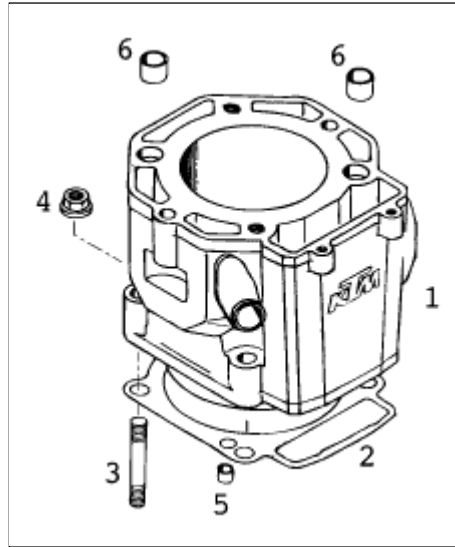
Item	Part #	Description	Retail
1	58430018300	CRANKSHAFT CPL. LC4 05 original partnumber 58430018100 superceded by 58430018300	\$438.38
2	58430015044	CON.ROD REPAIR KIT original partnumber 58330015044 superceded by 58430015044	\$252.32
4	56530081000	SHIM WASHER 36X48X0,10	\$1.16
4	56530081100	SHIM WASHER 36X48X0,15	\$1.39
4	56530081300	SHIM WASHER 36X48X0,30	\$0.80
5	0888030050	WOODRUFF KEY DIN6888-3X5X13	\$0.93
6	6946005	WOODRUFF KEY 5X6,5 HARDED	\$0.79
7	56030081000	THRUST WASHER 30,5X45X0,10	\$0.30
7	56030081100	THRUST WASHER 30,7X47X0,15	\$1.03
7	56030081200	THRUST WASHER 30,5X45X0,30	\$1.31
8	58030082000	CYL.ROLLER BEARING NJ 306 C3	\$82.72
9	56530123000	CYL.ROLLER BEAR. NJ 207 ECP C3	\$80.87
10	0760304772	SH.SEAL RING 30X47X7 BSL VITON original partnumber 0760304771 superceded by 0760304772	\$13.11
15	58330095000	STEEL WASHER 16 X 30 X 3	\$3.67
16	58430028000	HEX NUT M16x1,25 L/S	\$8.02
21	58030019000	LOCKING RING VSK 20	\$1.49
22	0936200155	HEXAGON NUT DIN0936-M20X1,5	\$8.48
23	0760122270	SHAFT SEAL RING 12 X 22 X 7 B	\$17.43
41	58330031300	OIL SCRAPER RING 101x2,5	\$28.31
42	58330932100	TAP.COMPR.PISTON RING 101X1,25	\$25.11
44	58330833000	PISTON PIN 22 X 13 X 60	\$51.75
46	58430007000 I	% PISTON I CPL.101MM FORGED 20	\$0.00
46	58430007000 II	% PISTON II 101MM FORGED 20	\$0.00
47	58430074000	CIRCLIP 22 X 1,6	\$6.98
48	58430032000	L-RING 101X93,5X1,5 2000	\$44.91

Licensed to Elite KTM Online Shopper, Copyright © 2004, 2005, 2006, 2007 B.H. Forbes, All Rights Reserved.

Component Detail

Print Close Window

Year	2001
Model	640 ADVENTURE-R (D)
Part	CYLINDER 400-640 LC4-E 2001



Copyright © by KTM NA All rights reserved.

Licensed to Elite KTM Online Shopper, Copyright © 2004, 2005, 2006, 2007 B.H. Forbes, All Rights Reserved.

Component Detail

Print Close Window

Year	2001
Model	640 ADVENTURE-R (D)
Part	CYLINDER 400-640 LC4-E 2001

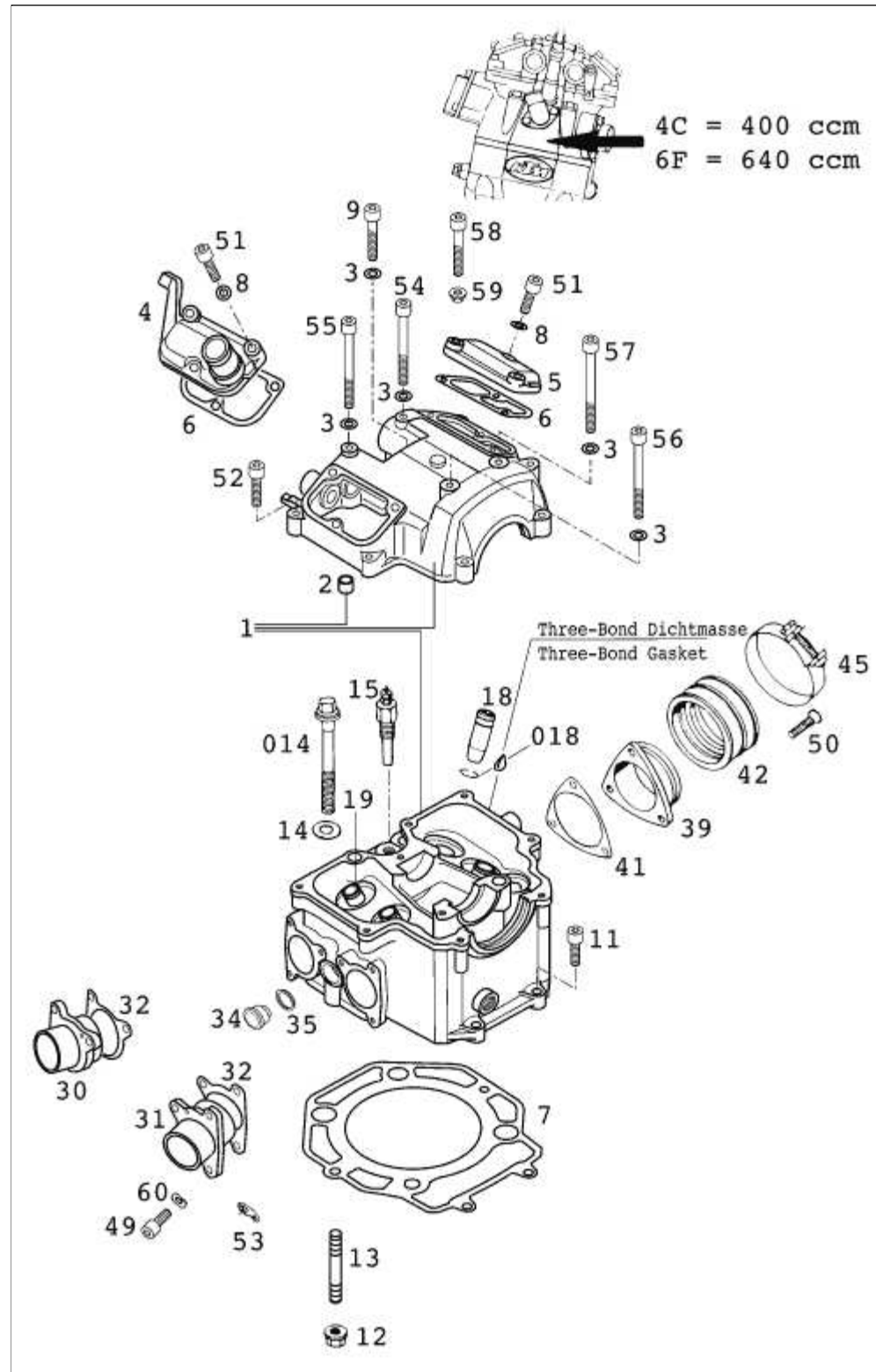
Item	Part #	Description	Retail
1	58330005100	CYLINDER 101MM BLACK 620/640	\$506.65
2	58030030100	CYL. BASE GASKET 0,7MM BLACK	\$6.22
3	0835100456	STUD DIN0835-M10X45	\$3.73
4	0331100003	COLLAR NUT DIN6923-M10 WS=15	\$2.23
5	49030090000	DOWEL 9,8 X 7 X 10	\$6.05
6	58330023000	DOWEL 17 X 14 X 9,5	\$5.00

Licensed to Elite KTM Online Shopper, Copyright © 2004, 2005, 2006, 2007 B.H. Forbes, All Rights Reserved.

Component Detail

Print Close Window

Year	2001
Model	640 ADVENTURE-R (D)
Part	CYLINDER HEAD 400/640 LC4-E 2001



Copyright © by KTM NA All rights reserved.
Licensed to Elite KTM Online Shopper, Copyright © 2004, 2005, 2006, 2007 B.H. Forbes, All Rights Reserved.

Component Detail

Print Close Window

Year	2001
Model	640 ADVENTURE-R (D)
Part	CYLINDER HEAD 400/640 LC4-E 2001

Item	Part #	Description	Retail
1	58436020000	CYLINDER HEAD CPL. 640 LC4 '98	\$641.77
2	49030090000	DOWEL 9,8 X 7 X 10	\$6.05
3	58036065100	CU-SEAL RING 6 X 10 X 2	\$0.64
4	58036152600	VALVE COVER FRONT '99	\$22.72
5	58036052200	VALVE COVER REAR original partnumber 58036052000 superceded by 58036052200	\$15.78
6	58036053000	VALVE COVER GASKET	\$3.14
7	58330036000	CYLINDER HEAD GASKET 101,3 MM	\$65.71
8	0603061001	CU-SEAL RING DIN7603-6X10X1	\$0.91
9	0912060353	AH SCREW DIN0912-M 6X35	\$1.35
12	49030028000	COLLAR NUT M8	\$2.03
13	54330043000	STUD DIN0835-M 8X40	\$2.64
14	58036098000	CU-SEAL RING 10 X 20 X 1	\$1.35
14	58036099100	COLLAR SCREW M10X80 WS=13 10.9	\$9.70
15	42011252000	TEMPERATURE SWITCH VDO	\$94.47
18	0993012000	CIRCLIP DIN7993-RW12	\$2.31
18	58036026644	VALVE GUIDE INTAKE CPL. original partnumber 58036026600 superceded by 58036026644	\$15.77
19	58036126644	VALVE GUIDE EXHAUST CPL. original partnumber 58036126600 superceded by 58036126644	\$15.77
30	58036040000	EXHAUST FLANGE R/S	\$33.34
31	58036140000	EXHAUST FLANGE L/S	\$33.34
32	58036041000	EXHAUST FLANGE GASKET	\$2.86
34	58336024000	PLUG SAS BORE	\$2.34
35	58436054000	CU-SEAL RING 12 X 16 X 2	\$1.07
39	58136042040	INTAKE FLANGE D=40MM	\$50.47
41	58136043000	INTAKE FLANGE GASKET	\$2.55
42	58436044000	INTAKE BOOT FOR MIKUNI CARBU.	\$31.67
45	56530061000	CLAMP SM12/A60	\$8.49
49	0912060163	AH SCREW DIN0912-M 6X16	\$0.93
50	0991060203	FLAT H.SCREW DIN7991-M6X20 8.8	\$2.72
51	0912060203	AH SCREW DIN0912-M 6X20	\$0.92
53	51005074000	RETAINING PLATE	\$2.29
54	0912060501	AH SCREW DIN0912-M 6X50 12.9	\$1.58
55	0912060551	AH SCREW DIN0912-M 6X55 12.9	\$1.88
56	0912060653	AH SCREW DIN0912-M 6X65	\$2.01
57	0912060703	AH SCREW DIN0912-M 6X70	\$1.95
58	0912060404	AH SCREW DIN0912-M 6X40 A2	\$1.50
59	56509064100	SELF LOCKING NUT M6 10.9	\$1.14
60	0137060003	SPRING WASHER DIN0137-B 6 original partnumber 0137060000 superceded by 0137060003	\$0.28

Licensed to Elite KTM Online Shopper, Copyright © 2004, 2005, 2006, 2007 B.H. Forbes, All Rights Reserved.

Component Detail

Print Close Window

Year	2001
Model	640 ADVENTURE-R (D)
Part	ENGINE CASE 400/640 LCE-E 2001

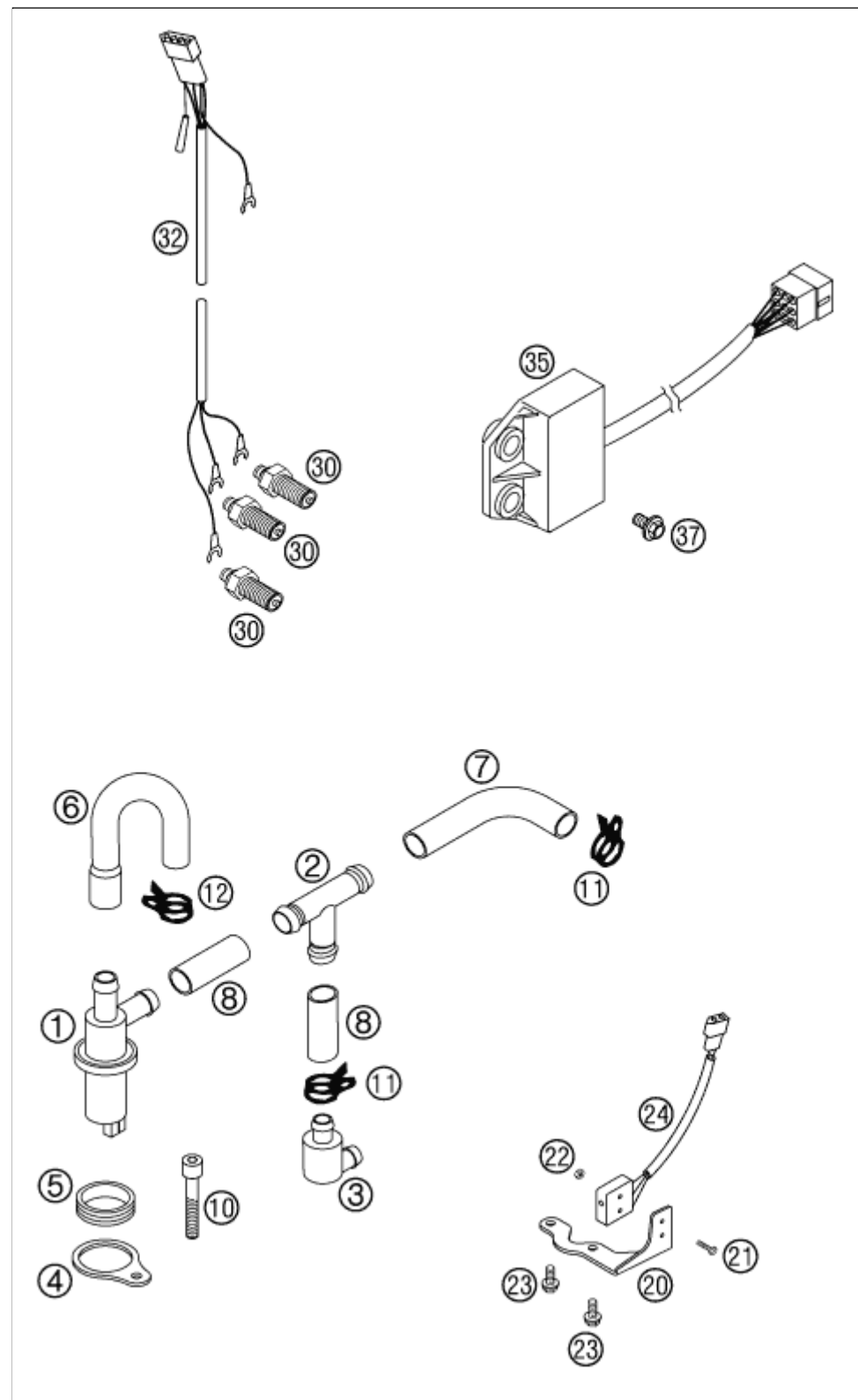
Item	Part #	Description	Retail
1	584300014430	ENGINE CASE CPL.W.TR.BEAR 2000	\$852.55
5	50130027000	DOWEL 19 X15,1X12	\$7.73
6	51030026100	DOWEL 17 X 13 X 12	\$6.18
7	50130010000	CRANK CASE BUSH	\$27.61
9	58033097000	NEEDLE BEARING HK 2216	\$15.28
10	58330011000	SHIFT MECHANISM SUPPORT LC4'94	\$91.05
11	49030090000	DOWEL 9,8 X 7 X 10	\$6.05
12	0015060353	HH COLLAR SCREW M 6X35 WS=8	\$1.13
13	0015060403	HH COLLAR SCREW M 6X40 WS=8	\$1.35
15	56530017000	RETAINING PLATE	\$6.22
16	0991060163	FLAT HEAD SCR. DIN7991-M 6X16	\$1.62
17	50332095000	NEEDLE BEARING HK 1212	\$7.76
18	0015080163	HH COLLAR SCREW M 8X16 WS=10	\$1.34
19	0603082121	SEAL RING CU DIN7603- 8X12X1	\$2.62
20	58430039100	ENGINE CASE GASKET LC4 02 original partnumber 58430039000 superceeded by 58430039100	\$11.77
21	0985050103	OVAL HEAD SCR. DIN7985-M 5X10	\$0.51
23	0625160030	GROOVED BALL BEARING 16003 C3	\$21.95
24	0625618050	BALL BEARING 61805 C3	\$43.68
25	0603061001	CU-SEAL RING DIN7603-6X10X1	\$0.91
26	0603100141	COPPER GASKET DIN7603-10X14X1 original partnumber 58038032010 superceeded by 0603100141	\$0.50
27	49030029000	OIL DRAIN PLUG M10X1,5 AH-WS=6	\$6.40
28	58440091000	STOP DISK 33 X 58 X 1,5	\$4.27
29	58011081100	CONTACT SCREW M10 STEEL '98	\$18.53
30	5833010124430	CLUTCH COVER CPL. BLACK 03 original partnumber 58330101100 superceeded by 5833010124430	\$135.55
31	58330025000	CLUTCH COVER GASKET '94	\$13.28
33	58330020144	OIL DIPSTICK CPL. L=93MM '96	\$11.88
34	0770160030	O-RING 16,00X3,00 NBR 70	\$1.62
38	58333041000	BUMP RUBBER	\$8.88
39	58730047000	CHAIN DAMPER SHEET 17Z DUKE'99	\$0.00
40	58430060000	SPROCKET COVER BLACK '96	\$9.88
41	54613038150	BUSHING 6,5X8X11	\$3.42
42	58430047000	CHAIN DAMPERSHEET 17T LC4-E	\$40.11
42	58430047100	CHAIN DAMPERSHEET 15/16T LC4-E	\$0.00
44	58030021000	OILDRAIN PLUG W.MAG. M 12X1,5	\$10.83
45	58038017100	CU-SEAL RING DIN7603-22X27X2	\$1.52
46	58038019100	OIL DRAIN PLUG M22X1,5	\$32.62
47	58038022000	CU-SEAL RING DIN7603-12X18X1,5	\$1.35
48	0908120153	PLUG DIN0908-M12X1,5	\$3.35
50	58038023300	PRESSURE SPRING L=25MM D=1MM	\$4.73
51	58038028000	VALVE PISTON D=10MM	\$42.19
55	58430099100	GASKET SET LC4 2002 original partnumber 58430099000 superceeded by 58430099100	\$143.87
56	0015060553	HH COLLAR SCREW M 6X55 WS=8	\$1.35
57	0015060653	HH COLLAR SCREW M 6X65 WS=8	\$1.23
58	0015060303	HH COLLAR SCREW M 6X30 SW=8	\$0.93
60	0015060403	HH COLLAR SCREW M 6X40 WS=8	\$1.35
61	0015060953	HH COLLAR SCREW M 6X95 WS=8	\$2.69

Licensed to Elite KTM Online Shopper, Copyright © 2004, 2005, 2006, 2007 B.H. Forbes, All Rights Reserved.

Component Detail

Print Close Window

Year	2001
Model	640 ADVENTURE-R (D)
Part	EPC LC4 2000



Copyright © by KTM NA All rights reserved.
Licensed to Elite KTM Online Shopper, Copyright © 2004, 2005, 2006, 2007 B.H. Forbes, All Rights Reserved.

Component Detail

Print Close Window

Year	2001
Model	640 ADVENTURE-R (D)
Part	EPC LC4 2000

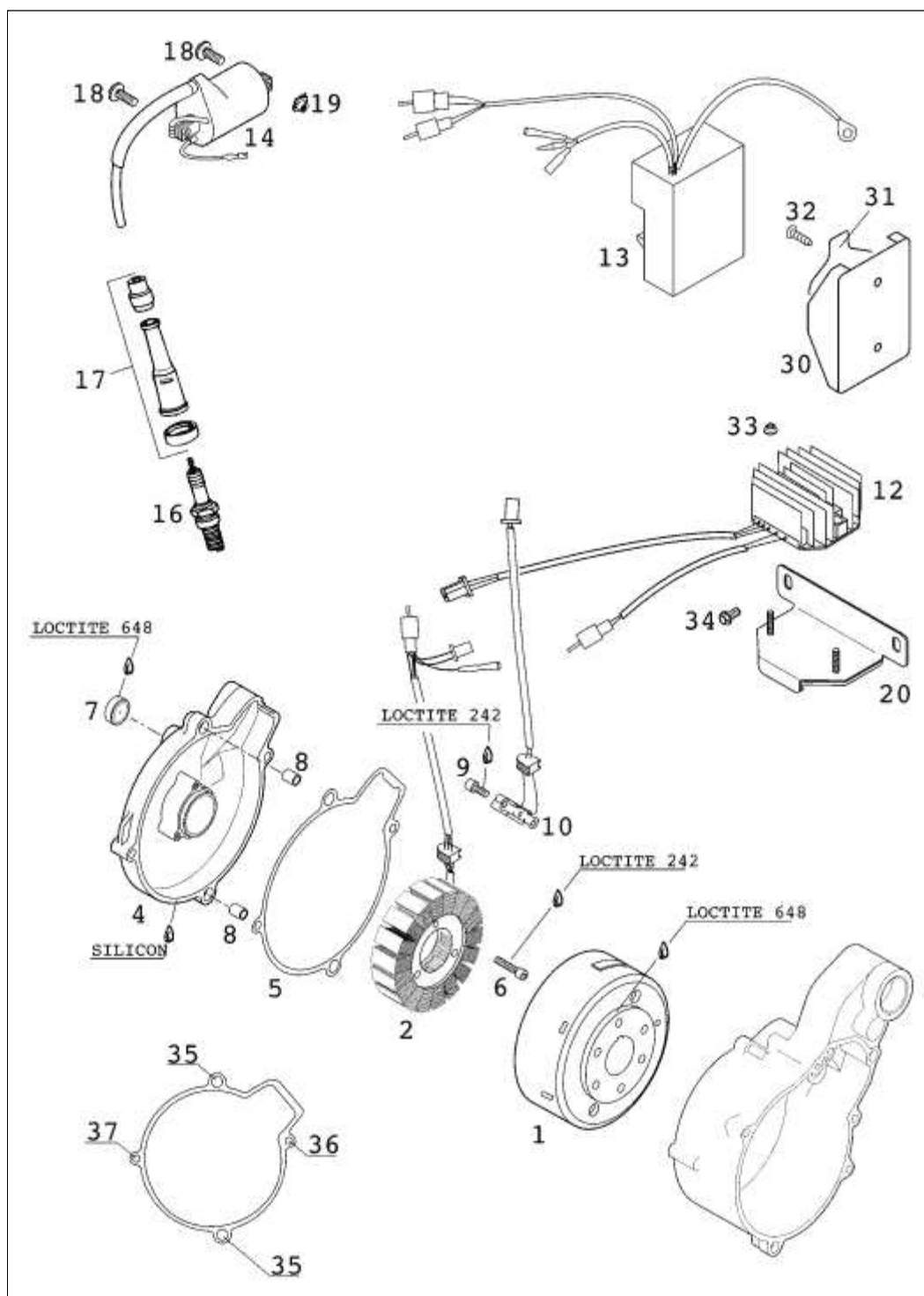
Item	Part #	Description	Retail
1	58431067000	MAGNETIC VALVE PIRBURG EPC '98	\$78.24
2	58431072000	T-CONNECTION 12MM LC4 '98	\$8.44
3	58431070100	AIR FILTER LC4 FOR EPC 2005 original partnumber 58431070000 superceeded by 58431070100	\$14.89
4	58431069000	BRACKET FOR MAGNETIC VALVE '98	\$0.88
5	54635022000	SLEEVE FOR STEERING HEAD	\$1.74
6	58431071000	VACUUM HOSE FOR MAGNETIC V.'98	\$14.10
7	58431097000	ANGULAR HOSE T-CON.-CARBURETOR	\$14.22
8	58431097100	TUBE 12MM T-CON.-FILTER '98	\$6.34
10	0912060404	AH SCREW DIN0912-M 6X40 A2	\$1.50
11	58431082000	YDNAC-CLAMP 15MM '98	\$0.56
12	58431082100	YDNAC-CLAMP 10173 (16MM) '98	\$0.56
20	58431080000	BRACKET FOR ENDSWITCH '98	\$3.31
21	0084020103	CYL.HEAD SCREW DIN0084-M 2X10	\$0.37
22	0934020003	HH NUT DIN0934-M 2	\$0.29
23	0015050123	HH COLLAR SCREW M 5X12 WS=8	\$0.68
24	58431065100	MICRO SWITCH LC4 '98	\$51.53
30	58011081100	CONTACT SCREW M10 STEEL '98	\$18.53
32	58411085000	WIRING HARN. EPC F. ENGINE LC4	\$8.17
35	58431063000	CONTROL UNIT FOR EPC '98	\$136.36
37	0014060103	HH COLLAR SCREW M 6X10 WS=8	\$1.61

Licensed to Elite KTM Online Shopper, Copyright © 2004, 2005, 2006, 2007 B.H. Forbes, All Rights Reserved.

Component Detail

Print Close Window

Year	2001
Model	640 ADVENTURE-R (D)
Part	IGNITION KOKUSAN LC4-E 2001



Copyright © by KTM NA All rights reserved.
Licensed to Elite KTM Online Shopper, Copyright © 2004, 2005, 2006, 2007 B.H. Forbes, All Rights Reserved.

Component Detail

Print Close Window

Year	2001
Model	640 ADVENTURE-R (D)
Part	IGNITION KOKUSAN LC4-E 2001

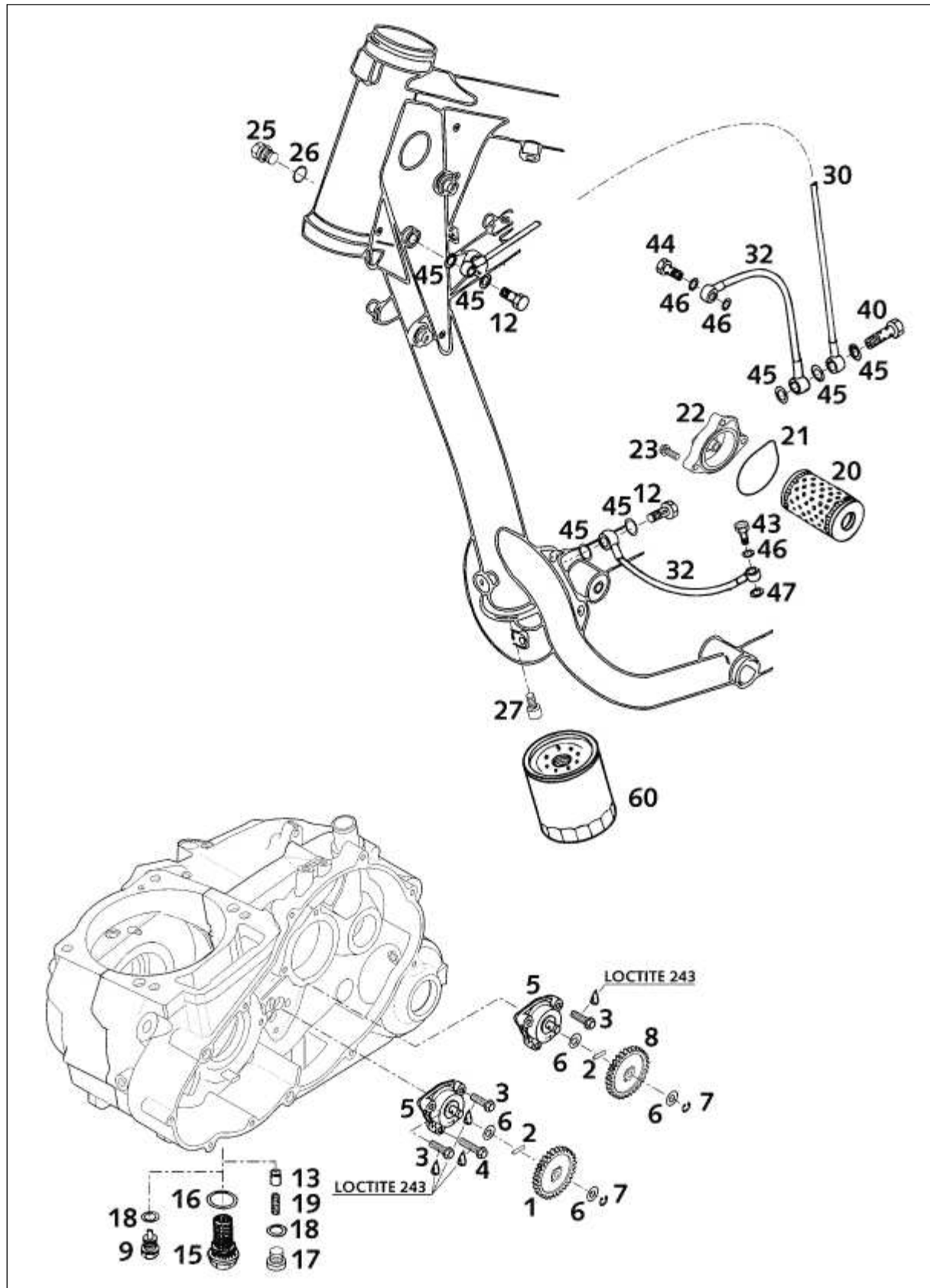
Item	Part #	Description	Retail
1	58439005100	FLYWHEEL KOKUSAN GP9128 '97	\$204.74
2	58439004000	STATOR KOKUSAN LOOSE '96	\$167.91
4	5843000214430	IGNITION COVER CPL. BLACK 04 original partnumber 58430002144 superceeded by 5843000214430	\$93.65
5	58430040000	IGNITION COVER GASKET '96	\$8.49
6	0912050253	AH SCREW DIN0912-M 5X25	\$0.65
7	58430095000	INSPECTION GLASS GW 20-7	\$12.03
8	49030090000	DOWEL 9,8 X 7 X 10	\$6.05
9	0912050083	AH SCREW DIN 912 M 5X8	\$0.51
10	58439034000	PULSER COIL	\$63.69
12	58411034100	VOLT.REGULATOR-RECTIFIER 12V	\$95.61
13	58439031200	DIGITALBOX CDI CB7459 95ROZ'99	\$201.19
13	58439031300	DIGITALB.CDI CB7477 80ROZ 2000	\$311.98
14	58439006000	IGNITIONCOIL IG3826 KOKUSAN'96	\$69.46
16	58439093009	SPARK PLUG NGK DPR8EA-9	\$7.84
17	58031010000	SPARK PLUG CONNECT.SD 05FG NGK	\$18.28
18	0014060153	HH COLLAR SCREW M 6X15 WS=8	\$0.65
19	50235033300	SNAP-NUT HOLDER M6 KP142	\$5.92
20	58411055100	BATTERY BRACKET LC4-E/DUKE'97	\$21.64
30	58439030100	RUBBER BRACKET FOR CDI '97	\$5.74
31	58439030150	SUPPORT FOR RUBBER BRACKET '97	\$7.07
32	0017050181	SCREW FOR PLASTIC D=5X18 original partnumber 0016055163 superceeded by 0017050181	\$0.66
33	56509064100	SELF LOCKING NUT M6 10.9	\$1.14
34	0015060103	HH COLLAR SCREW M 6X10 WS=8	\$1.29
35	0015060303	HH COLLAR SCREW M 6X30 SW=8	\$0.93
36	0015060803	HH COLLAR SCREW M 6X80 WS=8	\$1.37
37	0015060253	HH COLLAR SCREW M 6X25 WS=8	\$0.93

Licensed to Elite KTM Online Shopper, Copyright © 2004, 2005, 2006, 2007 B.H. Forbes, All Rights Reserved.

Component Detail

Print Close Window

Year	2001
Model	640 ADVENTURE-R (D)
Part	LUBRICATION SYSTEM LC4-E 400/640 2001



Copyright © by KTM NA All rights reserved.

Licensed to Elite KTM Online Shopper, Copyright © 2004, 2005, 2006, 2007 B.H. Forbes, All Rights Reserved.

Component Detail

Print Close Window

Year	2001
Model	640 ADVENTURE-R (D)
Part	LUBRICATION SYSTEM LC4-E 400/640 2001

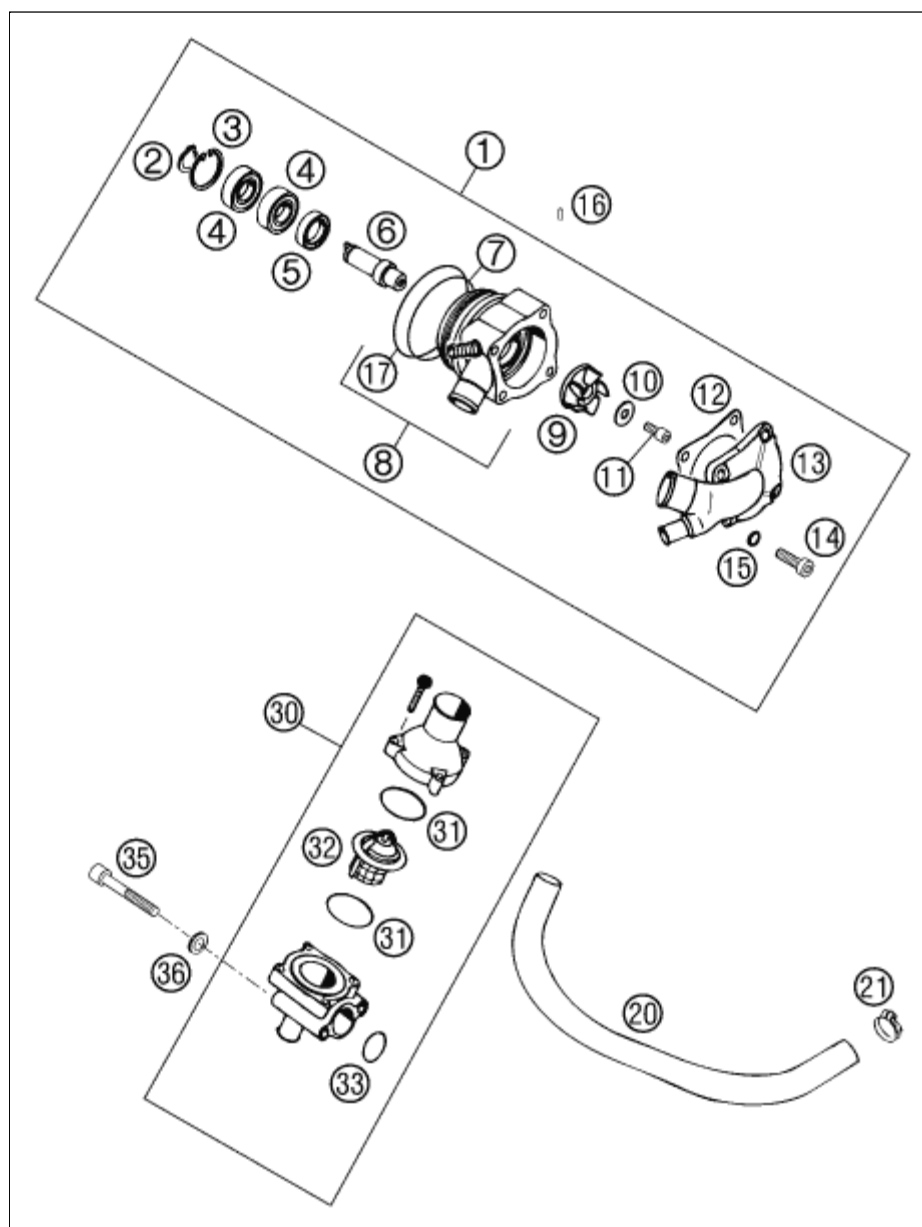
Item	Part #	Description	Retail
1	58038001100	OIL PUMP GEAR 31-T	\$6.39
2	0402251980	NEEDLEROL.DIN5402 NRA 2,5X19,8	\$0.72
3	0015060203	HH COLLAR SCREW M 6X20 WS=8	\$1.16
5	58038007700	OIL PUMP MIKUNI G-73-10	\$66.03
6	58038007755	STOP DISK 8,1 X 15 X 0,5	\$1.13
7	0799060000	TAB WASHER DIN6799-RS 6,0	\$0.59
8	58438001000	OIL PUMP GEAR 26-T	\$7.64
9	58030021000	OILDRAIN PLUG W.MAG. M 12X1,5	\$10.83
12	54313025000	HOLLOW SCREW M10 X 1	\$6.41
13	58038028000	VALVE PISTON D=10MM	\$42.19
15	58038019100	OIL DRAIN PLUG M22X1,5	\$32.62
16	58038017100	CU-SEAL RING DIN7603-22X27X2	\$1.52
17	0908120153	PLUG DIN0908-M12X1,5	\$3.35
18	58038022000	CU-SEAL RING DIN7603-12X18X1,5	\$1.35
19	58038023300	PRESSURE SPRING L=25MM D=1MM	\$4.73
20	58038005100	OIL FILTER LONG original partnumber 58038005000 superceded by 58038005100	\$9.63
21	58030009000	GASKETRING OILF.COVER VITON	\$5.69
22	58030008700	OIL FILTER COVER 2001 original partnumber 58030008600 superceded by 58030008700	\$29.89
25	0910100003	PLUG DIN0910-M 10X1	\$3.03
26	58038022900	CU-SEAL RING 10 X 14 X 1,5	\$1.31
27	0984060103	AH SCREW DIN7984-M 6X10	\$0.44
30	58038234700	OIL LINE FILTER-FRAME TUBE	\$43.68
32	58338034000	OIL LINE CLUTCH COVER-FRAME	\$24.93
40	58038033200	DUAL BANJO BOLT M10X1 original partnumber 58038033100 superceded by 58038033200	\$6.45
43	58038130000	JET SCREW M 8 X 1 "150"	\$13.60
44	58038029000	BANJO BOLT M8X1 original partnumber 58038030000 superceded by 58038029000	\$2.62
45	0603100141	COPPER GASKET DIN7603-10X14X1 original partnumber 58038032010 superceded by 0603100141	\$0.50
46	0603082121	SEAL RING CU DIN7603- 8X12X1 original partnumber 58038032000 superceded by 0603082121	\$2.62
47	58038032300	CU-SEAL RING 8 X 12 X 1,5	\$1.32
60	58338045100	SCREW TYPE FILTER original partnumber 58338045000 superceded by 58338045100	\$26.00

Licensed to Elite KTM Online Shopper, Copyright © 2004, 2005, 2006, 2007 B.H. Forbes, All Rights Reserved.

Component Detail

Print Close Window

Year	2001
Model	640 ADVENTURE-R (D)
Part	MECH. WATER PUMP SC 2000



Copyright © by KTM NA All rights reserved.
Licensed to Elite KTM Online Shopper, Copyright © 2004, 2005, 2006, 2007 B.H. Forbes, All Rights Reserved.

Component Detail

Print Close Window

Year	2001
Model	640 ADVENTURE-R (D)
Part	MECH. WATER PUMP SC 2000

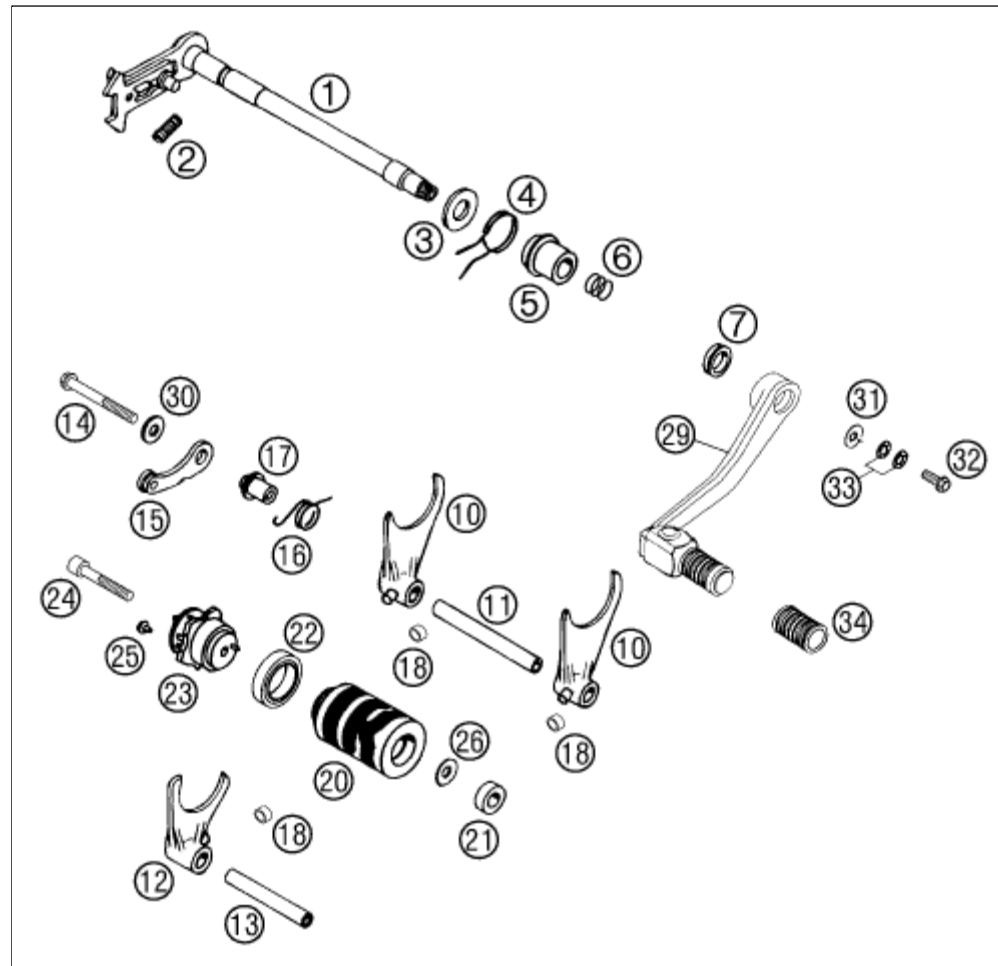
Item	Part #	Description	Retail
1	58335050044	WATER PUMP MECHANIC CPL.'94	\$164.49
2	0471120010	CIRCLIP DIN0471-12X1	\$0.94
3	0472280120	CIRCLIP DIN0472-28X1,2	\$0.72
4	0625060016	GROOV.BALL BEAR. 6001.2RSR C3	\$18.76
5	0760152472	SHAFT SEAL RING 15X24X7 A-DUO	\$14.75
6	54435010000	WATER PUMP SHAFT	\$41.85
7	0770047015	O-RING 47,00X1,50 NBR 70	\$4.33
8	58035002644	WATER PUMP CASE CPL. 4T '00	\$73.25
9	56535005300	WATER PUMP WHEEL	\$6.13
10	0021050003	WASHER DIN9021-A 5,3	\$0.30
11	0912050123	AH SCREW DIN0912-M 5X12	\$0.93
12	56535003300	WATER PUMP COVER GASKET	\$1.71
13	58335001244	WATER PUMP COVER LC4 '99	\$55.21
14	0984060203	AH SCREW DIN6912-M 6X20 8.8	\$1.31
15	0603061001	CU-SEAL RING DIN7603-6X10X1	\$0.91
16	0402025580	NEEDLEROLL.DIN5402 NRB 2,5X5,8	\$1.02
17	0770049025	O-RING 49,00X2,50 NBR	\$2.82
20	58335025350	RADIATOR HOSE 12X3 04	\$4.31
21	58335099000	HOSE CLAMP GEMI 10-16	\$2.48
30	58335013044	THERMOSTAT CPL. 70 DG LC4'94	\$94.32
31	0770320020	O-RING 32,00X2,00	\$1.35
32	58335017000	THERMOSTAT 70 DEGREES '94	\$60.74
33	0770021020	O-RING 21,00X2,00 NBR70	\$2.01
35	0912060453	AH SCREW DIN0912-M 6X45	\$1.62
36	0125060003	WASHER DIN0125-A 6,4	\$0.28

Licensed to Elite KTM Online Shopper, Copyright © 2004, 2005, 2006, 2007 B.H. Forbes, All Rights Reserved.

Component Detail

Print Close Window

Year	2001
Model	640 ADVENTURE-R (D)
Part	SHIFT MECHANISM LC4-E 400/640 2001



Copyright © by KTM NA All rights reserved.

Licensed to Elite KTM Online Shopper, Copyright © 2004, 2005, 2006, 2007 B.H. Forbes, All Rights Reserved.

Component Detail

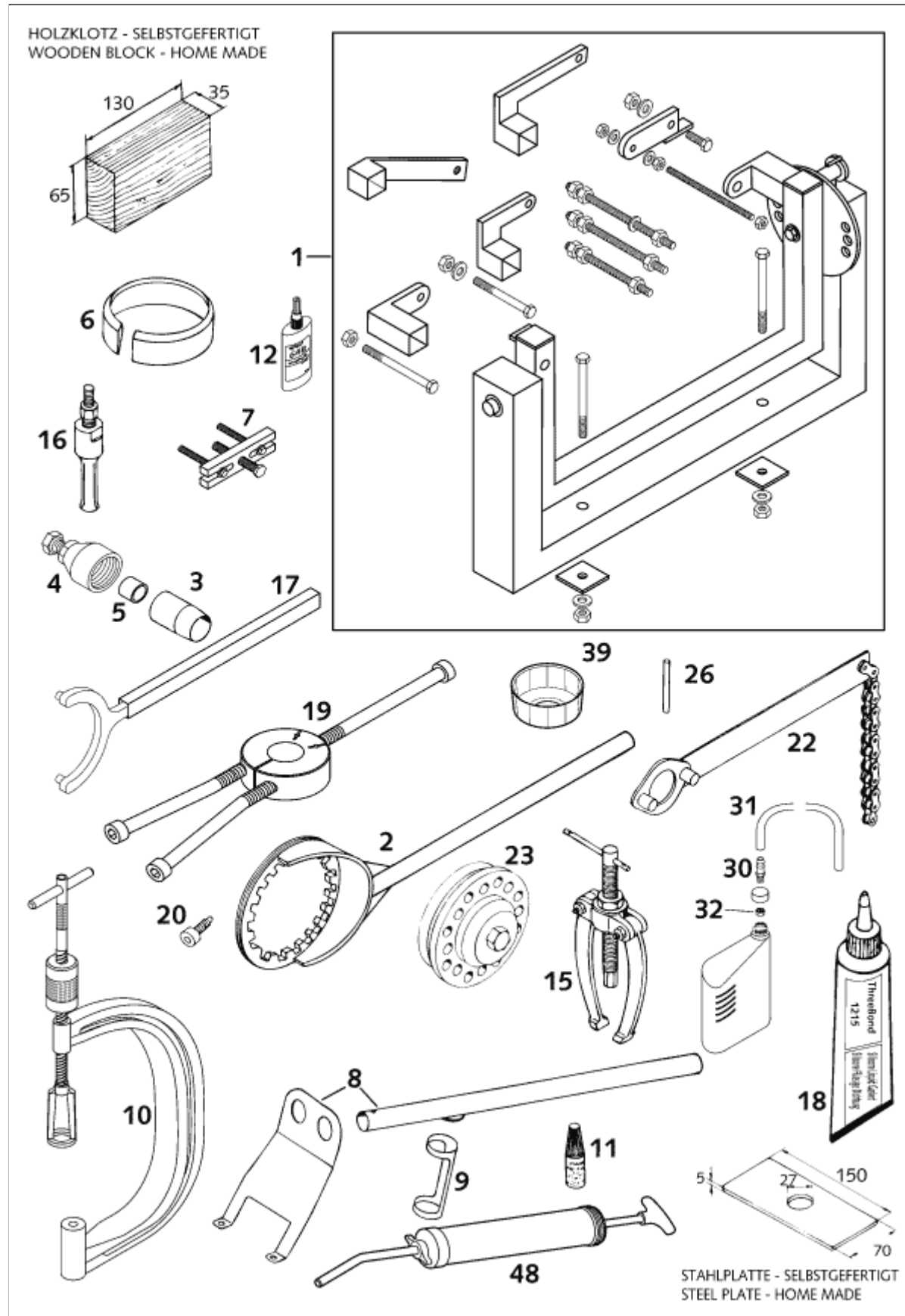
Print Close Window

Year	2001
Model	640 ADVENTURE-R (D)
Part	SHIFT MECHANISM LC4-E 400/640 2001

Item	Part #	Description	Retail
1	58334005044	SHIFT SHAFT CPL. LC4'94	\$86.66
2	56534013100	TENSIONING SPRING 0,8MM	\$3.22
3	58034010000	STEEL WASHER 14 X 28 X 2	\$0.87
4	58034014000	RETURN SPRING	\$4.13
5	58334020000	SPRING SLEEVE	\$10.46
6	0770125020	O-RING 12,50X2,00 NBR 70	\$1.37
7	58033027000	V-SEAL RING V-14-A	\$4.37
10	58034002300	SHIFT FORK 1ST/4TH+2ND GEAR'98	\$91.69
11	58034004000	SHIFT RAIL 1ST/4TH + 2ND GEAR	\$7.08
12	58034001300	SHIFT FORK 3RD/5TH GEAR '98	\$85.99
13	58034003000	SHIFT RAIL 3RD/5TH GEAR	\$8.14
14	0015060653	HH COLLAR SCREW M 6X65 WS=8	\$1.23
15	58334024044	LOCKING LEVER CPL. '94	\$13.52
16	58034023500	SPRING	\$2.50
17	58334017000	SPRING SLEEVE	\$9.76
18	50334018100	SHIFTING ROLLER 6X8X5,2	\$2.29
20	58334012000	SHIFT ROLLER STEEL	\$132.04
21	0625006087	GROOVED BALL BEAR. 608 2RS C3	\$21.03
22	0625618050	BALL BEARING 61805 C3	\$43.68
23	58434015044	SHIFT LOCATING DRUM CPL. '98	\$44.24
24	0912060404	AH SCREW DIN0912-M 6X40 A2	\$1.50
25	58034016500	SHIFT BUTTON	\$3.61
26	51006097000	WASHER 6,2X22X1,ST30,W.GALV.	\$1.14
29	58434031144	SHIFT LEVER CPL. LC4,COMP. '98	\$48.83
30	50232050000	WASHER 6,2X18X2	\$4.49
31	50232050001	STEEL WASHER 6,4X17X3	\$4.35
32	0015060163	HH COLLAR SCREW M 6X16 WS=8	\$0.47
33	50233041000	PAIR OF WASHERS M 6 NORDLOCK	\$2.86
34	36205018000	RUBBER	\$4.87

Licensed to Elite KTM Online Shopper, Copyright © 2004, 2005, 2006, 2007 B.H. Forbes, All Rights Reserved.

Year	2001
Model	640 ADVENTURE-R (D)
Part	SPECIAL TOOLS LC4-E 2001



Copyright © by KTM NA All rights reserved.
 Licensed to Elite KTM Online Shopper, Copyright © 2004, 2005, 2006, 2007 B.H. Forbes, All Rights Reserved.

Component Detail

Print Close Window

Year	2001
Model	640 ADVENTURE-R (D)
Part	SPECIAL TOOLS LC4-E 2001

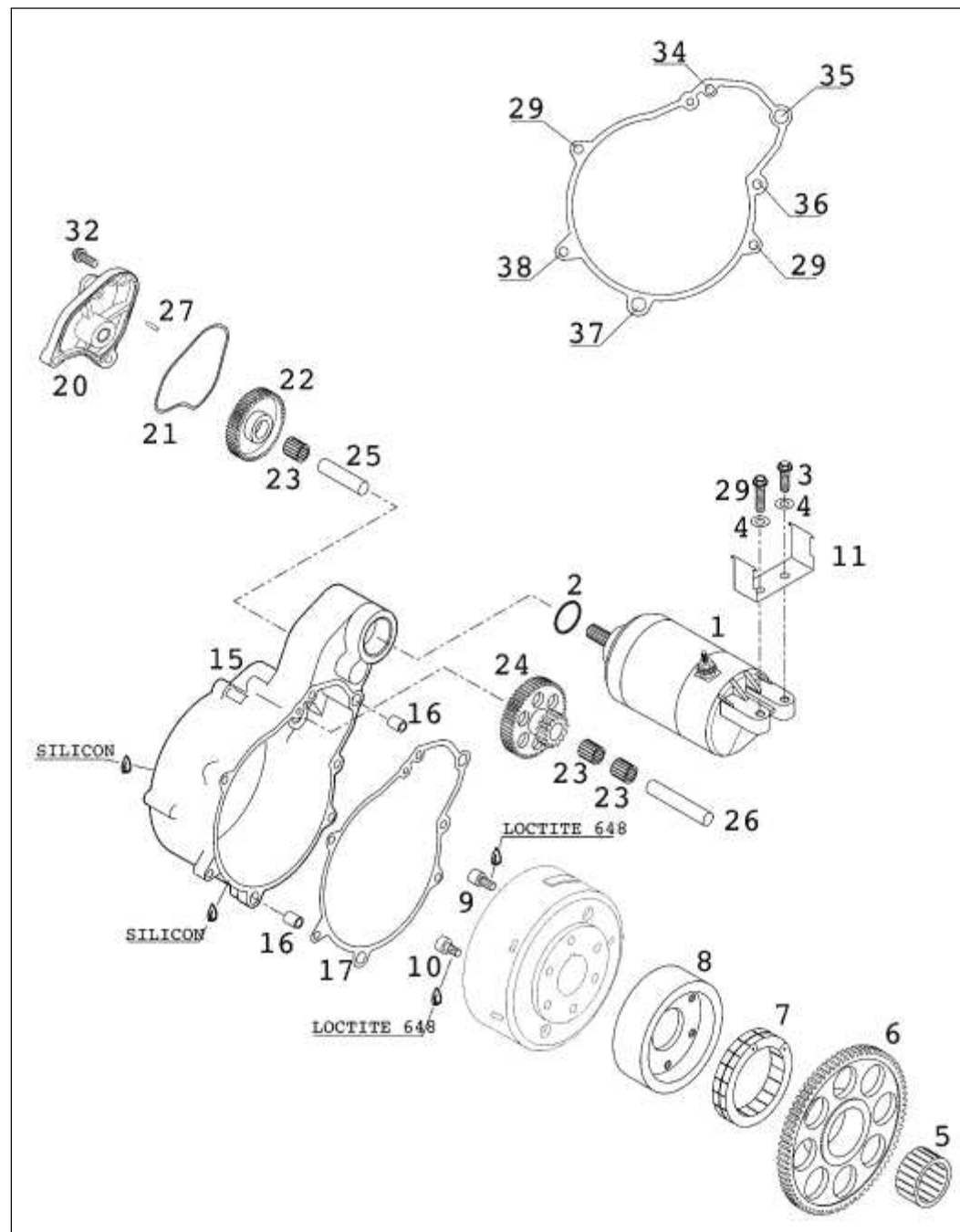
Item	Part #	Description	Retail
1	56012001000	UNIVERSAL MOUNTING RACK '96	\$960.34
2	58329003000	CLUTCH HOLDER D=160MM LC4'94	\$85.86
3	58012005025	MOUNTING SLEEVE D=25MM	\$26.91
4	58429009000	MAGNETO EXTRACTOR	\$53.20
5	58429031000	PROTECTOR CAP F.CRANKSHAFT M16	\$17.76
6	58012015101	PISTON RING COMPRESSOR D=101MM	\$61.03
7	59029021000	% EXTRACT.PRIM.GEAR-INNER CLUT	\$0.00
8	58012019000	VALVE INSTALLATION KIT	\$89.82
9	6276470	PUSH INSERT	\$115.39
10	59029019000	VALVE SPRING LEVER	\$296.78
11	6899785	LOCTITE 243 BLUE 6CCM	\$0.00
12	58429059000	LOCTITE 648 GREEN 24ML	\$0.00
15	15112017000	BUSHING EXTRACTOR	\$108.82
16	15112018000	INTERN.BEAR.PULLER 12-16 MM	\$172.67
16	15112018100	INTERN.BEAR.PULLER 18-23 MM	\$172.67
17	58429012000	HOLDING WRENCH FOR WHEEL	\$90.65
18	309098	SILICON GASKET THREE-BOND	\$185.77
19	58429037040	MOUNTING TOOL F.BEARING NJ 306	\$90.74
19	58429037043	MOUNTING TOOL F.BEARING NJ 207	\$90.74
20	58030080000	LOCATING SCREW M8 L=23	\$16.13
22	51012012000	HOLDING SPANNER FOR SPROCKET	\$68.55
23	54629027000	RIVETTING TOOL FOR CLUTCH	\$203.82
26	58029026007	LIMIT PLUG GAUGE F.VALVE GUIDE	\$42.64
30	59030022000	BLEEDER FLANGE M8 WS=10 '99	\$6.12
31	31007107001	PVC-HOSE 6X9 MM PER METER	\$5.31
32	0934080003	HEXAGON NUT DIN0934-M 8	\$0.58
39	58329039000	WRENCH SCREW FILTER	\$113.77
48	58429048000	INJEKTION FOR FRONT PIPE '99	\$110.51

Licensed to Elite KTM Online Shopper, Copyright © 2004, 2005, 2006, 2007 B.H. Forbes, All Rights Reserved.

Component Detail

Print Close Window

Year	2001
Model	640 ADVENTURE-R (D)
Part	STARTER ENGINE LC4 2001



Copyright © by KTM NA All rights reserved.
Licensed to Elite KTM Online Shopper, Copyright © 2004, 2005, 2006, 2007 B.H. Forbes, All Rights Reserved.

Component Detail

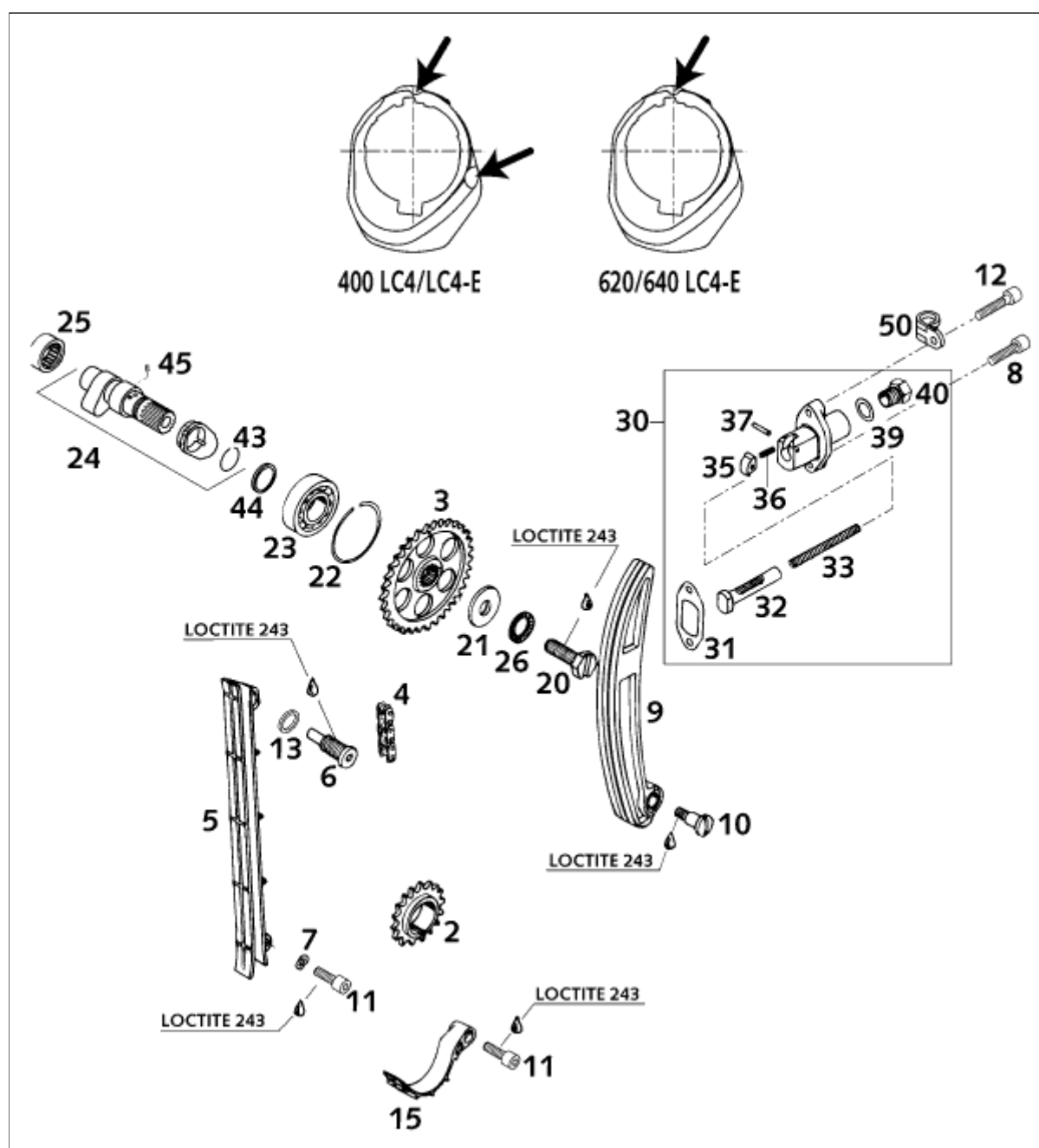
Print Close Window

Year	2001
Model	640 ADVENTURE-R (D)
Part	STARTER ENGINE LC4 2001

Item	Part #	Description	Retail
1	58440001000	E-STARTER ENGINE CPL. LC4-E	\$261.57
2	0770250030	O-RING 25,00X3,00 NBR 70	\$2.21
3	0015060203	HH COLLAR SCREW M 6X20 WS=8	\$1.16
4	0125060003	WASHER DIN0125-A 6,4	\$0.28
5	58440090100	NEEDLE BEARING K30 X 37 X 18 A	\$17.24
6	58440020079	FREE-WHEEL-GEAR 79-T	\$116.38
7	58440026000	FREE-WHEEL FWD 332008 BLS	\$85.27
8	58440025000	FREEWHEEL HUB	\$54.04
9	0912060121	AH SCREW DIN0912-M 6X12 12.9	\$0.87
10	58440098000	AH CENTERING SCREW M6X12,5	\$7.08
15	58440010100	STARTER FLANGE BLACK '97	\$110.67
16	49030090000	DOWEL 9,8 X 7 X 10	\$6.05
17	58440042000	STARTER FLANGE GASKET	\$9.76
20	58440011100	STARTER COVER BLACK '97	\$43.08
21	58440011050	FORM RING F.STARTERCOVER NBR70	\$4.41
22	58440022000	INTERMEDIATE GEAR 52-T	\$33.69
23	58440090000	NEEDLE BEARING K10 X 13 X 13TN	\$7.08
24	58440021018	REDUCTION GEAR 55-T/18-Z	\$53.93
25	58440028000	BEARING BOLT 10 X 38,4	\$9.27
26	58440029000	BEARING BOLT 10 X 54	\$15.34
27	0402040780	NEEDLEROLL. DIN5402 NRB 4X 7,8	\$0.51
29	0015060253	HH COLLAR SCREW M 6X25 WS=8	\$0.93
32	0015060163	HH COLLAR SCREW M 6X16 WS=8	\$0.47
34	0015060453	HH COLLAR SCREW M 6X45 WS=8	\$1.35
35	0015060503	HH COLLAR SCREW M 6X50 WS=8	\$1.35
36	0015060803	HH COLLAR SCREW M 6X80 WS=8	\$1.37
37	0015060303	HH COLLAR SCREW M 6X30 SW=8	\$0.93
38	0015060953	HH COLLAR SCREW M 6X95 WS=8	\$2.69

Licensed to Elite KTM Online Shopper, Copyright © 2004, 2005, 2006, 2007 B.H. Forbes, All Rights Reserved.

Year	2001
Model	640 ADVENTURE-R (D)
Part	TIMING TRAIN 400-640 LC4 2001



Copyright © by KTM NA All rights reserved.
Licensed to Elite KTM Online Shopper, Copyright © 2004, 2005, 2006, 2007 B.H. Forbes, All Rights Reserved.

Component Detail

Print Close Window

Year	2001
Model	640 ADVENTURE-R (D)
Part	TIMING TRAIN 400-640 LC4 2001

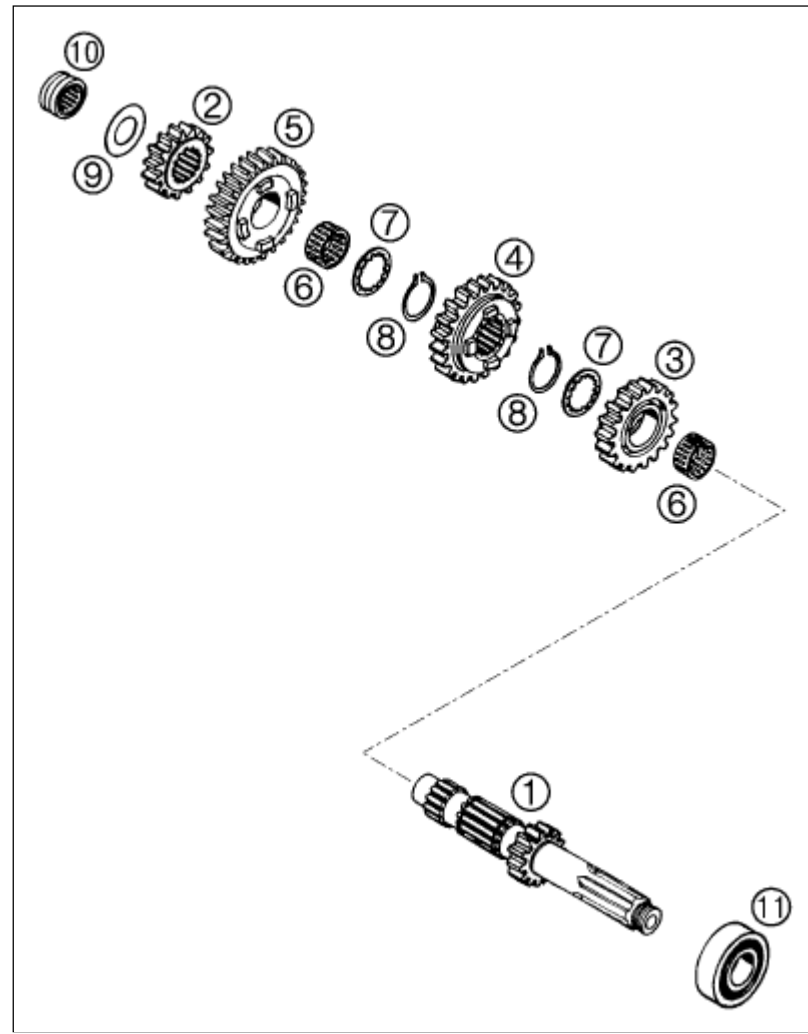
Item	Part #	Description	Retail
2	58036014000	TIMING GEAR 17-T	\$74.80
3	58336011001	CAMSHAFT GEAR 34-T "01" '94	\$85.53
4	58036013000	TIMING CHAIN C107C / 100 LINKS	\$76.91
5	58036001000	TIMING CHAIN GUIDE	\$18.90
6	58036009000	CHAIN GUIDE SCREW	\$11.13
7	0137060003	SPRING WASHER DIN0137-B 6 original partnumber 0137060000 superceeded by 0137060003	\$0.28
8	0912060253	AH SCREW DIN0912-M 6X25	\$0.92
9	58036002000	TIMING CHAIN TENSIONER	\$48.66
10	0923080120	FLAT HEAD SCR. M 8X12	\$3.48
11	0912060208	AH SCREW DIN0912-M 6X20 SS	\$1.52
12	0912060303	AH SCREW DIN0912-M 6X30	\$1.35
13	58038022100	CU-SEAL RING 12 X 16 X 2	\$1.49
15	58336018000	SECURING GUIDE	\$3.76
20	58336112000	DRIVING SCREW M10X25	\$5.00
21	58036012000	STEEL WASHER 10 X 28 X 3	\$5.13
22	58036096000	CIRCLIP SB 42	\$1.99
23	0625060040	GROOVED BALL BEARING TMB004	\$26.97
24	58336110044	CAMSHAFT CPL. 249/1 LC4-E	\$190.37
25	58036097000	NEEDLE BEARING BK 2012	\$12.96
26	36003014200	LOCKING WASHER 10MM	\$0.22
30	58036003144	AUTOM.TENSIONER CPL. '88	\$82.96
31	58036005100	TENSIONER GASKET 1,5 MM	\$2.55
32	58036004100	PRESSURE BOLT	\$38.50
33	58036006100	PRESSURE SPRING 0,9MM	\$1.35
35	58036007100	RATCHETING PAWL	\$33.81
36	58036007050	PRES.SPRING F.RATCHETING PAWL	\$0.43
37	0402031780	NEEDLE ROL.DIN5402 NRB 3X17,8	\$0.51
39	58038022000	CU-SEAL RING DIN7603-12X18X1,5	\$1.35
40	58036008100	PLUG M12X1,5	\$3.42
43	0417200120	CIRCLIP WS20	\$0.94
44	58336015000	STEPPED RING	\$6.57
45	58336016052	SPRING FOR AUTO-DECOMPR. '95	\$0.56
50	54211052000	CLAMP RSGU 24/15	\$11.77

Licensed to Elite KTM Online Shopper, Copyright © 2004, 2005, 2006, 2007 B.H. Forbes, All Rights Reserved.

Component Detail

Print Close Window

Year	2001
Model	640 ADVENTURE-R (D)
Part	TRANSMISSION I LC4 MILITARY `97



Copyright © by KTM NA All rights reserved.
Licensed to Elite KTM Online Shopper, Copyright © 2004, 2005, 2006, 2007 B.H. Forbes, All Rights Reserved.

Component Detail

Print Close Window

Year	2001
Model	640 ADVENTURE-R (D)
Part	TRANSMISSION I LC4 MILITARY `97

Item	Part #	Description	Retail
1	58333002100	MAIN SHAFT 14-T '96	\$167.58
2	56533010300	SOLID GEAR 2.G 15-T (2G3)	\$135.99
3	58333004002	IDLER GEAR 3.G 18-T "02"	\$103.31
4	58333006004	SLIDING GEAR 4.G 20-T "04"	\$109.14
5	58333008008	IDLER GEAR 5.G 22-T "08"	\$111.92
6	0405222613	NEEDLE BEAR. K 22X26X13 TN original partnumber 56533099000 superceeded by 0405222613	\$6.45
7	56533016300	STOP DISK 22,7 X 32 X 1,5	\$6.22
8	52033096000	LOCK RING DIN0471-25X1,64SD	\$3.75
9	56533015000	STOP DISK 20,2 X 35 X 1	\$4.33
10	56533093000	NEEDLE BEARING RNA 4902 KSE	\$24.51
11	58533025000	CYL.ROLL BEARING BC1-0076A	\$106.18

Licensed to Elite KTM Online Shopper, Copyright © 2004, 2005, 2006, 2007 B.H. Forbes, All Rights Reserved.

Component Detail

Print Close Window

Year	2001
Model	640 ADVENTURE-R (D)
Part	TRANSMISSION II LC4 2001

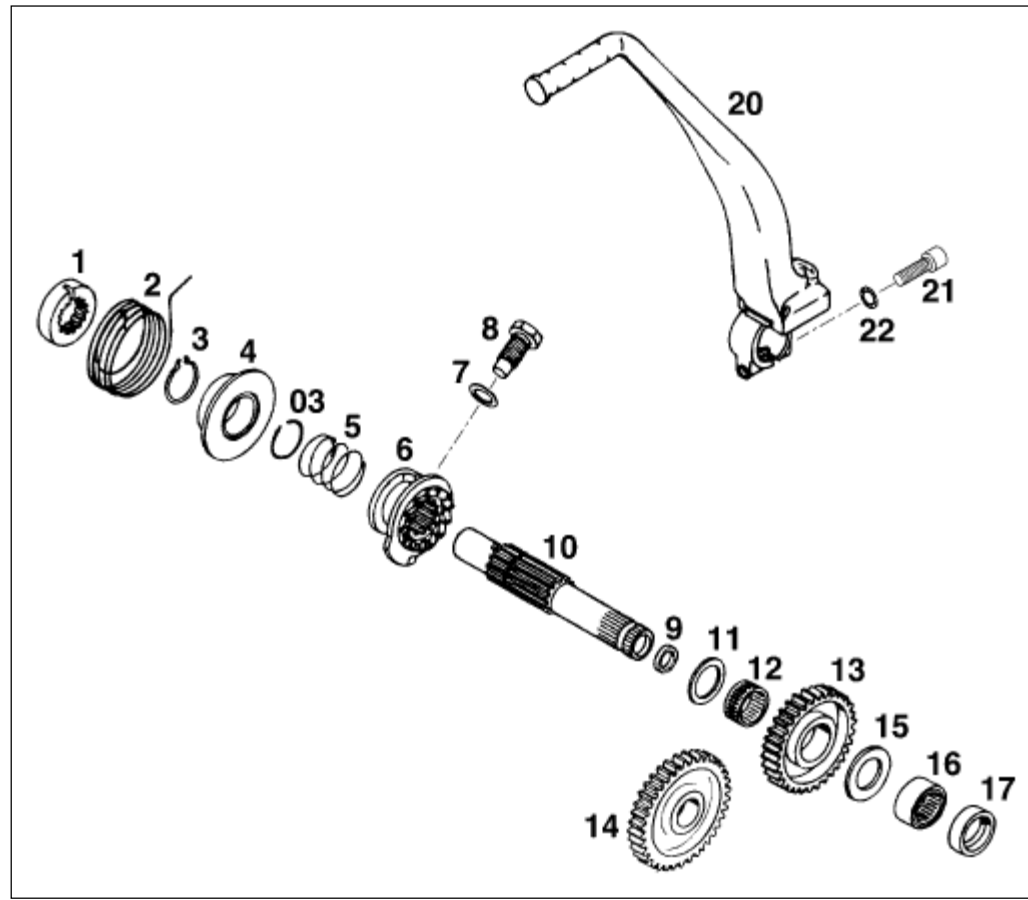
Item	Part #	Description	Retail
1	56533005300	IDLER GEAR 1.G 35-T (1M3)	\$114.52
2	58333113010	IDLER GEAR 2.G 24-T "10"	\$96.81
3	58333007003	SLIDING GEAR 3.G 21-T "03"	\$117.67
4	58333009005	IDLER GEAR 4.G 19-T "05"	\$112.24
5	58333011009	SLIDING GEAR 5.G 18-T "09"	\$91.09
6	58333003000	COUNTERSHAFT	\$202.82
7	56533016300	STOP DISK 22,7 X 32 X 1,5	\$6.22
8	52033096000	LOCK RING DIN0471-25X1,64SD	\$3.75
9	56533015000	STOP DISK 20,2 X 35 X 1	\$4.33
10	56533018300	STOP DISK 22,2 X 35 X 1,5	\$3.52
12	56533093000	NEEDLE BEARING RNA 4902 KSE	\$24.51
13	56533098000	NEEDLE BEARING K22X26X13H	\$13.21
14	0405222613	NEEDLE BEAR. K 22X26X13 TN original partnumber 56533099000 superceeded by 0405222613	\$6.45
16	49030023000	CYL.ROLL BEARING NJ205	\$72.53
17	58033017000	SPACER BUSHING	\$37.83
18	0760324771	SHAFT SEAL RING 32X47X7 BSL	\$17.03
19	0770250021	O-RING 25,00X2,00 SILICONE	\$2.43
20	58033029014	ENGINE SPROCKET 14 T	\$26.09
20	58033029015	ENGINE SPROCKET 15 T	\$26.60
20	58033029016	ENGINE SPROCKET 16 T	\$26.60
20	58033029017	ENGINE SPROCKET 17 T	\$26.60
20	58033029115	% ENGINE SPROCKET 15 T DAMPED	\$28.35
20	58033029116	% ENGINE SPROCKET 16 T DAMPED	\$28.35
20	58033029117	% ENGINE SPROCKET 17 T DAMPED	\$28.35
21	0770220010	O-RING 22,00X1,00 NBR 70	\$1.09
22	59033034044	SCREW+SPRING WASHER	\$4.65

Licensed to Elite KTM Online Shopper, Copyright © 2004, 2005, 2006, 2007 B.H. Forbes, All Rights Reserved.

Component Detail

Print Close Window

Year	2001
Model	640 ADVENTURE-R (D)
Part	TRANSMISSION LC4 2001



Copyright © by KTM NA All rights reserved.
Licensed to Elite KTM Online Shopper, Copyright © 2004, 2005, 2006, 2007 B.H. Forbes, All Rights Reserved.

Component Detail

Print Close Window

Year	2001
Model	640 ADVENTURE-R (D)
Part	TRANSMISSION LC4 2001

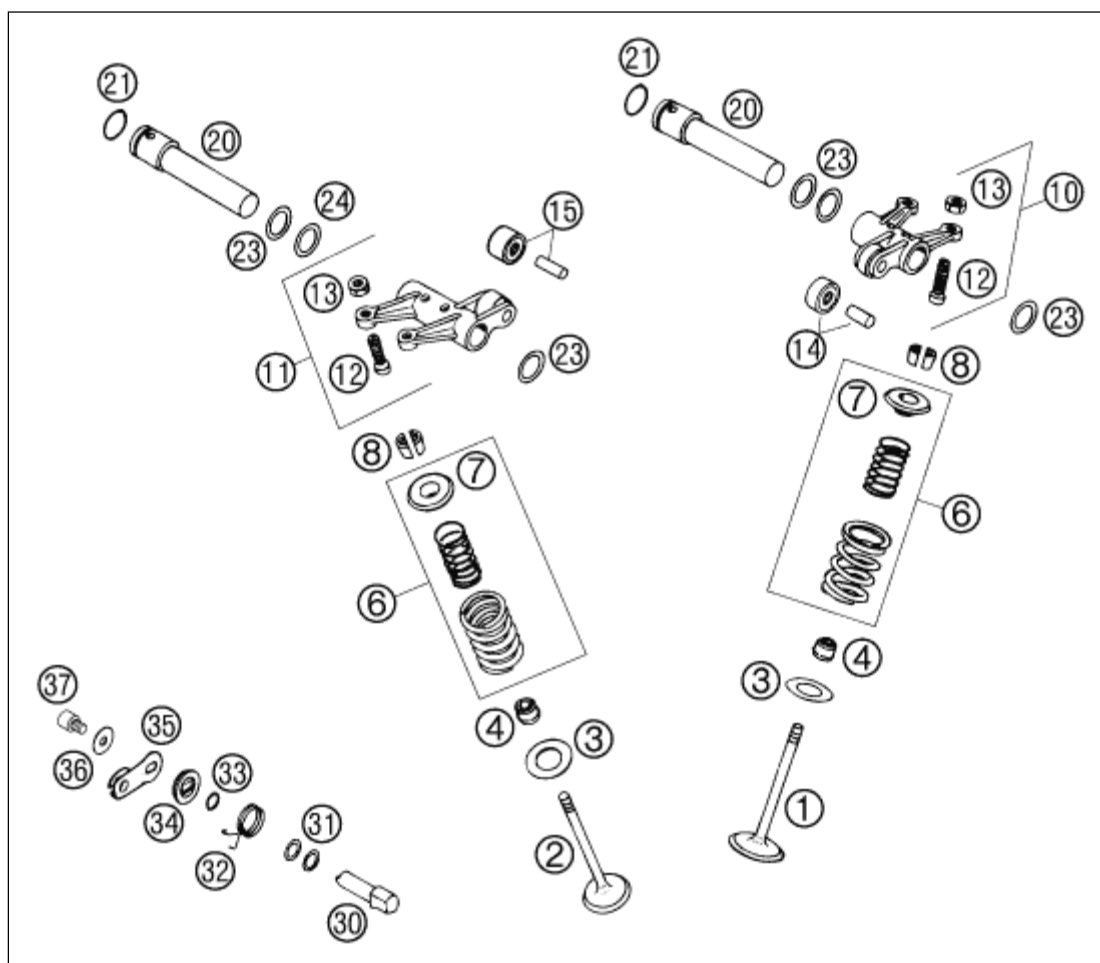
Item	Part #	Description	Retail
1	58033026200	DRIVING HUB '94	\$25.81
2	58033020000	KICKSTARTER SPRING	\$13.92
3	52033090100	LOCK RING 25X1,2	\$1.39
3	52033096000	LOCK RING DIN0471-25X1,64SD	\$3.75
4	58033037000	SPRING BUSHING	\$15.89
5	58033028000	RATCHET GEAR SPRING 1,2 MM	\$1.35
6	58033023200	RATCHET GEAR 24-T	\$136.65
7	58038022000	CU-SEAL RING DIN7603-12X18X1,5	\$1.35
8	58033033000	STOP SCREW M12X1,5	\$10.89
9	54632090000	SEAL RING DH/GR 12X16X3	\$9.90
10	58033021300	KICKSTARTER SHAFT '94	\$91.29
11	58033031000	STOP DISK 22,2 X 30 X 1,5	\$3.61
12	56533098000	NEEDLE BEARING K22X26X13H	\$13.21
13	58033022700	KICKSTARTER GEAR 35-T	\$97.25
14	58033024000	INTERMEDIATE GEAR 37-T	\$88.60
15	56532012000	STOP DISK 22,2 X 35 X 2	\$6.76
16	58033090000	NEEDLE BEARING RNA 4903	\$36.14
17	0760223270	SHAFT SEAL RING 22X32X7 BSL	\$8.30
20	58333036044	KICKSTARTER CPL. ALU LC4'94	\$125.03
21	0025080256	HH COLLAR SCREW M8X25 TX40 original partnumber 0015080253 superceeded by 0025080256	\$2.30
22	36003014000	LOCK WASHER 8MM	\$0.15

Licensed to Elite KTM Online Shopper, Copyright © 2004, 2005, 2006, 2007 B.H. Forbes, All Rights Reserved.

Component Detail

Print Close Window

Year	2001
Model	640 ADVENTURE-R (D)
Part	VALVE DRIVE ASSEMBLY 400 LC4-E MILITARY '97



Copyright © by KTM NA All rights reserved.
Licensed to Elite KTM Online Shopper, Copyright © 2004, 2005, 2006, 2007 B.H. Forbes, All Rights Reserved.

Component Detail

Print Close Window

Year	2001
Model	640 ADVENTURE-R (D)
Part	VALVE DRIVE ASSEMBLY 400 LC4-E MILITARY `97

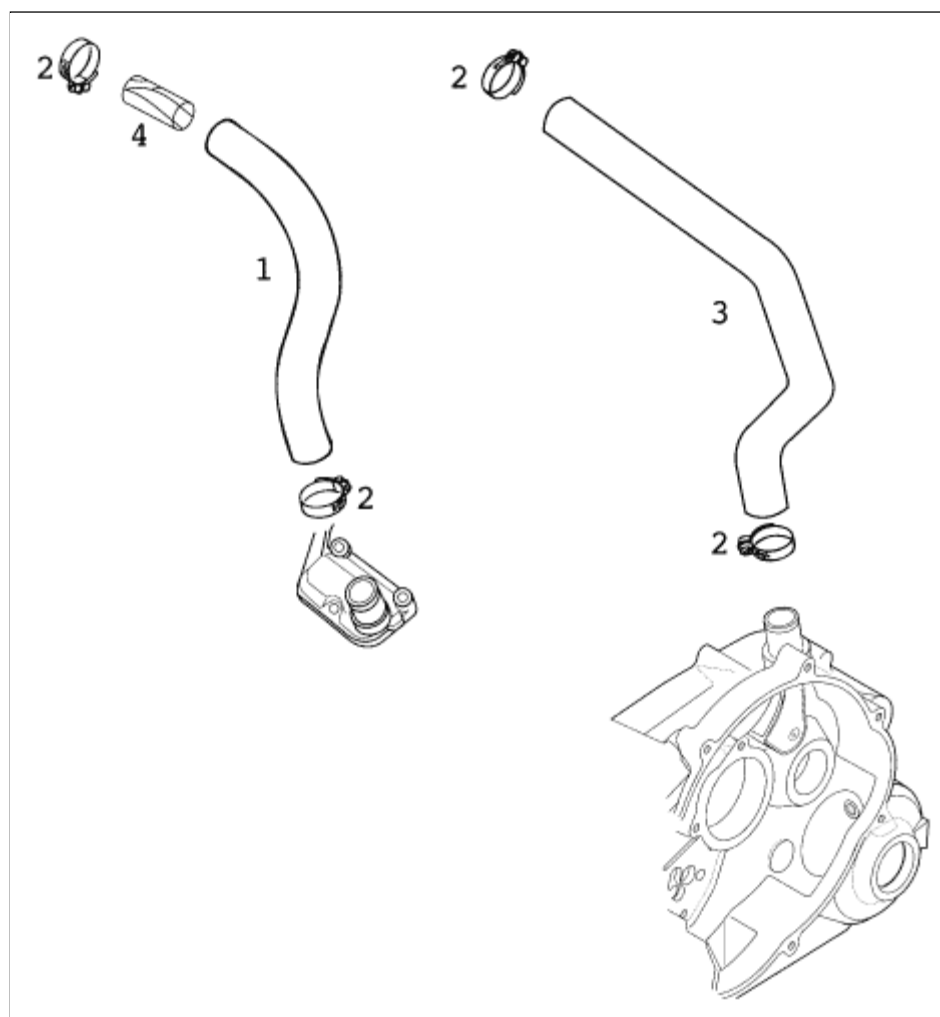
Item	Part #	Description	Retail
1	58036030000	INTAKE VALVE D=36 MM	\$73.39
2	58036031000	EXHAUST VALVE 30 MM	\$90.73
3	58036027000	STOP DISK 12,2x29,5x1	\$2.34
4	58036028000	VALVE-STEAM SEALING	\$10.36
6	58536029044	VALVE SPRING KIT RALLYE 2001 original partnumber 58336029044 superceeded by 58536029044	\$24.76
7	58036032700	VALVE-SPRING RETAINER ALU '95	\$6.68
8	58036033000	VALVE COLLET MK7	\$3.42
10	58036060844	ROCKER ARM INTAKE CPL. 400 LC4 original partnumber 58036060644 superceeded by 58036060844	\$149.49
11	58336061044	ROCKER ARM EXHAUST CPL.	\$176.82
12	58036062600	ADJUSTMENT SCREW CPL. M 7X0,75	\$22.68
13	0934070756	HEXAGON NUT DIN0934-M 7X0,75	\$3.65
14	58036061090	ROCKER ARM ROLLER CPL. INTAKE	\$26.71
15	58336061090	ROCKER ARM ROLLER CPL. EXHAUST	\$34.05
20	58036056100	ROCKER ARM SHAFT L=96MM	\$100.77
21	58036095000	O-RING 15,08 X 2,62 NBR 70	\$2.32
23	0988162210	THRUST WASHER DIN0988-16X22X1	\$1.32
24	0988162205	THRUST WASH. DIN0988-16X22X0,5	\$1.94
30	58036050100	DECOMPRESSION SHAFT	\$31.67
31	54334015000	WASHER 10X14X0,5 STEEL	\$0.30
31	54334015100	WASHER 10X14X0,3 STEEL	\$1.16
31	54334015200	WASHER 10X14X0,15 STEEL	\$1.16
32	58036059200	DECOMP.LEVER SPRING	\$8.45
33	0770100221	O-RING 10,00X2,20 SILICONE	\$1.15
34	58036048000	COVER DISK	\$2.76
35	58036049500	DECOMPRESSION LEVER	\$4.07
36	0021060003	WASHER DIN9021-A 6,4	\$0.30
37	0912060103	AH SCREW DIN0912-M 6X10	\$0.44

Licensed to Elite KTM Online Shopper, Copyright © 2004, 2005, 2006, 2007 B.H. Forbes, All Rights Reserved.

Component Detail

Print Close Window

Year	2001
Model	640 ADVENTURE-R (D)
Part	VENT LC4 '99



Copyright © by KTM NA All rights reserved.
Licensed to Elite KTM Online Shopper, Copyright © 2004, 2005, 2006, 2007 B.H. Forbes, All Rights Reserved.

Component Detail

Print Close Window

Year	2001
Model	640 ADVENTURE-R (D)
Part	VENT LC4 '99

Item	Part #	Description	Retail
1	58035025800	BREATHER TUBE TOP	\$17.49
2	42013037200	HOSE CLAMP GEMI 12/22	\$2.61
3	57530090000	BREATHER TUBE ENGINE '93	\$13.07
4	58430089000	FILTER BREATHER SYSTEM '98	\$0.82

Licensed to Elite KTM Online Shopper, Copyright © 2004, 2005, 2006, 2007 B.H. Forbes, All Rights Reserved.